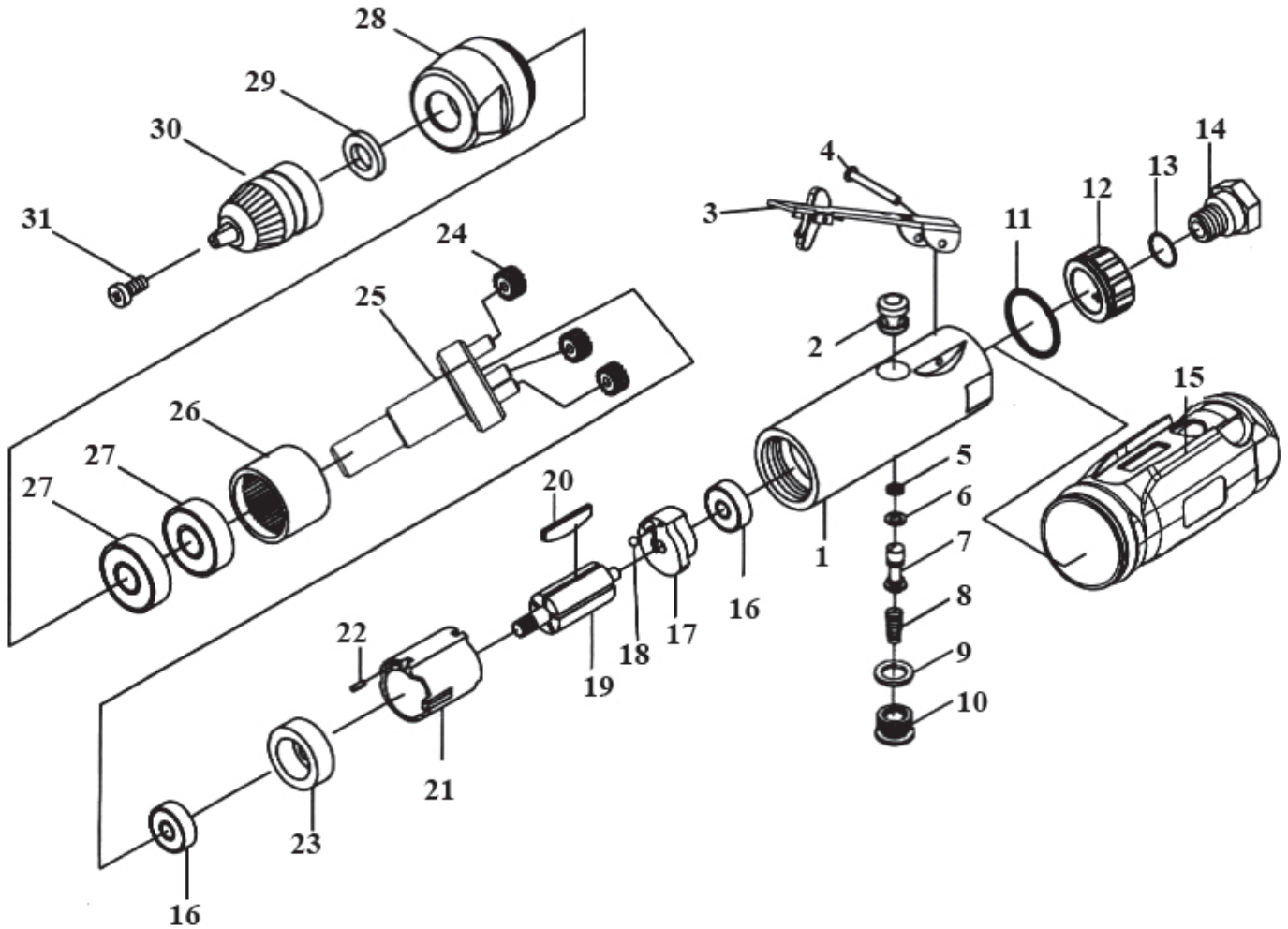


Parts Information:  
**Air Drill Straight with Ø10mm**  
**- Keyless Chuck**  
**Model No: GSA232**



Item	Part No.	Description
1	GSA232.01	HOUSING
2	GSA232.02	VALVE BUSHING
3	GSA232.03	TRIGGER ASS'Y
4	GSA232.04	TRIGGER PIN
5	GSA232.05	O-RING
6	GSA232.06	O-RING
7	GSA232.07	THROTTLE VALVE
8	GSA232.08	SPRING
9	GSA232.09	O-RING
10	GSA232.10	NUT
11	GSA232.11	O-RING
12	GSA232.12	MUFFLE COVER
13	GSA232.13	O-RING
14	GSA232.14	AIR INLET CONNECTOR
15	GSA232.15	HOUSING SLEEVE
16	B/626ZZ	BEARING 626ZZ

Item	Part No.	Description
17	GSA232.17	END PLATE
18	SB-2.5	STEEL BALL 2.5mm
19	GSA232.19	ROTOR
20	GSA232.20	ROTOR BLADE
21	GSA232.21	CYLINDER
22	GSA232.22	STRAIGHT PIN
23	GSA232.23	FRONT PLATE
24	GSA232.24	PLANET GEAR
25	GSA232.25	WORK SPINDLE
26	GSA232.26	GEAR RING
27	B/6201ZZ	BEARING 6201ZZ
28	GSA232.28	FRONT HOUSING
29	GSA232.29	WASHER
30	DC/J-38HC	DRILL CHUCK KEYLESS 3/8" x 24 THROUGH HOLE
31	GSA232.31	CHUCK SCREW (M5x18 L/H)

**NOTE:** It is our policy to continually improve products and as such we reserve the right to alter data, specifications and component parts without prior notice.

**IMPORTANT:** No liability is accepted for incorrect use of product.

**WARRANTY:** Guarantee is 12 months from purchase date, proof of which will be required for any claim.