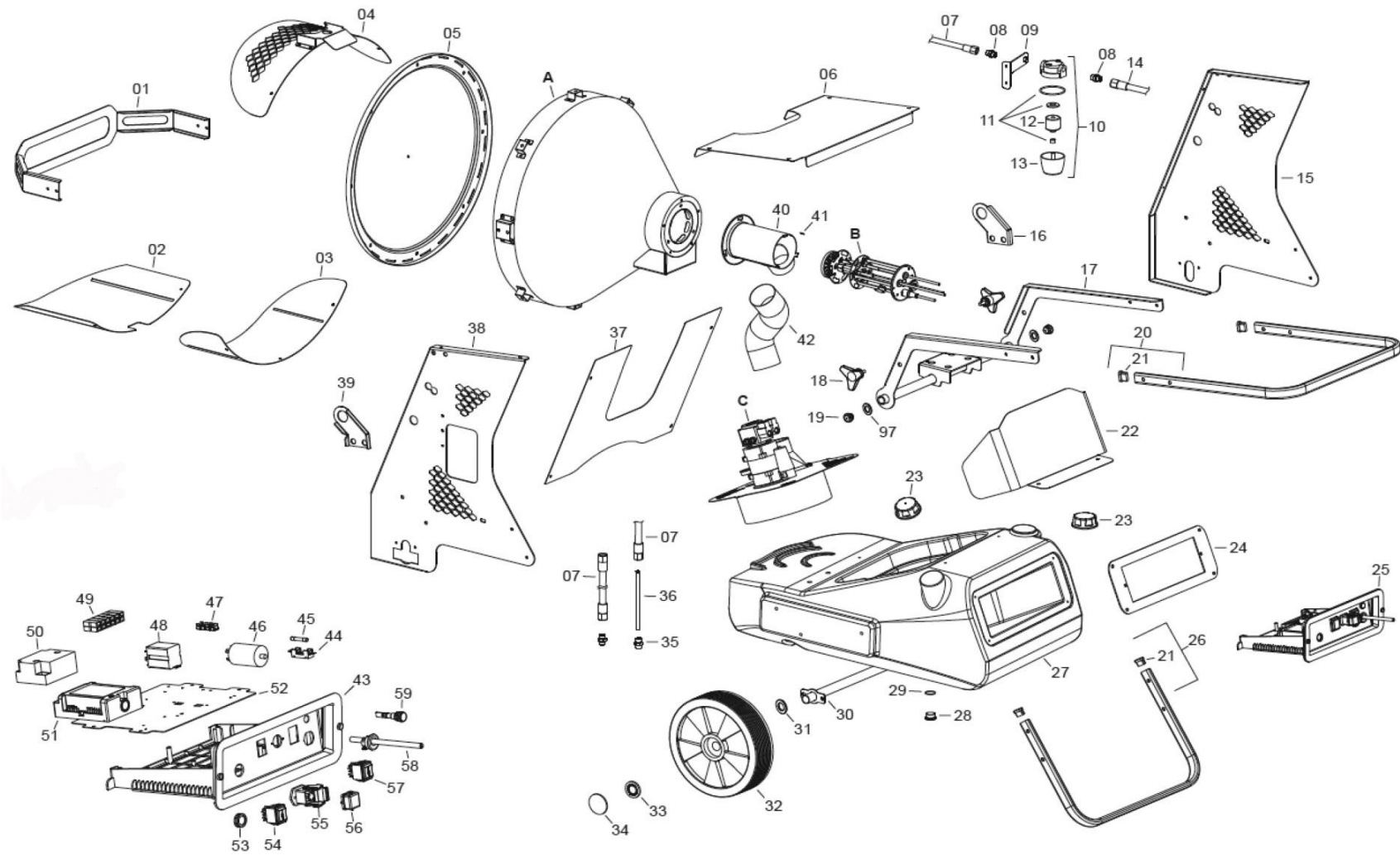




Parts Information:
Infrared Paraffin/Kerosene/Diesel Heater 45.5kW 230V
Model No: IR55



NOTE: It is our policy to continually improve products and as such we reserve the right to alter data, specifications and component parts without prior notice.

IMPORTANT: No liability is accepted for incorrect use of product.

WARRANTY: Guarantee is 12 months from purchase date, proof of which will be required for any claim.

Sealey Group, Kempson Way, Suffolk Business Park, Bury St Edmunds, Suffolk. IP32 7AR



01284 757500



01284 703534



sales@sealey.co.uk



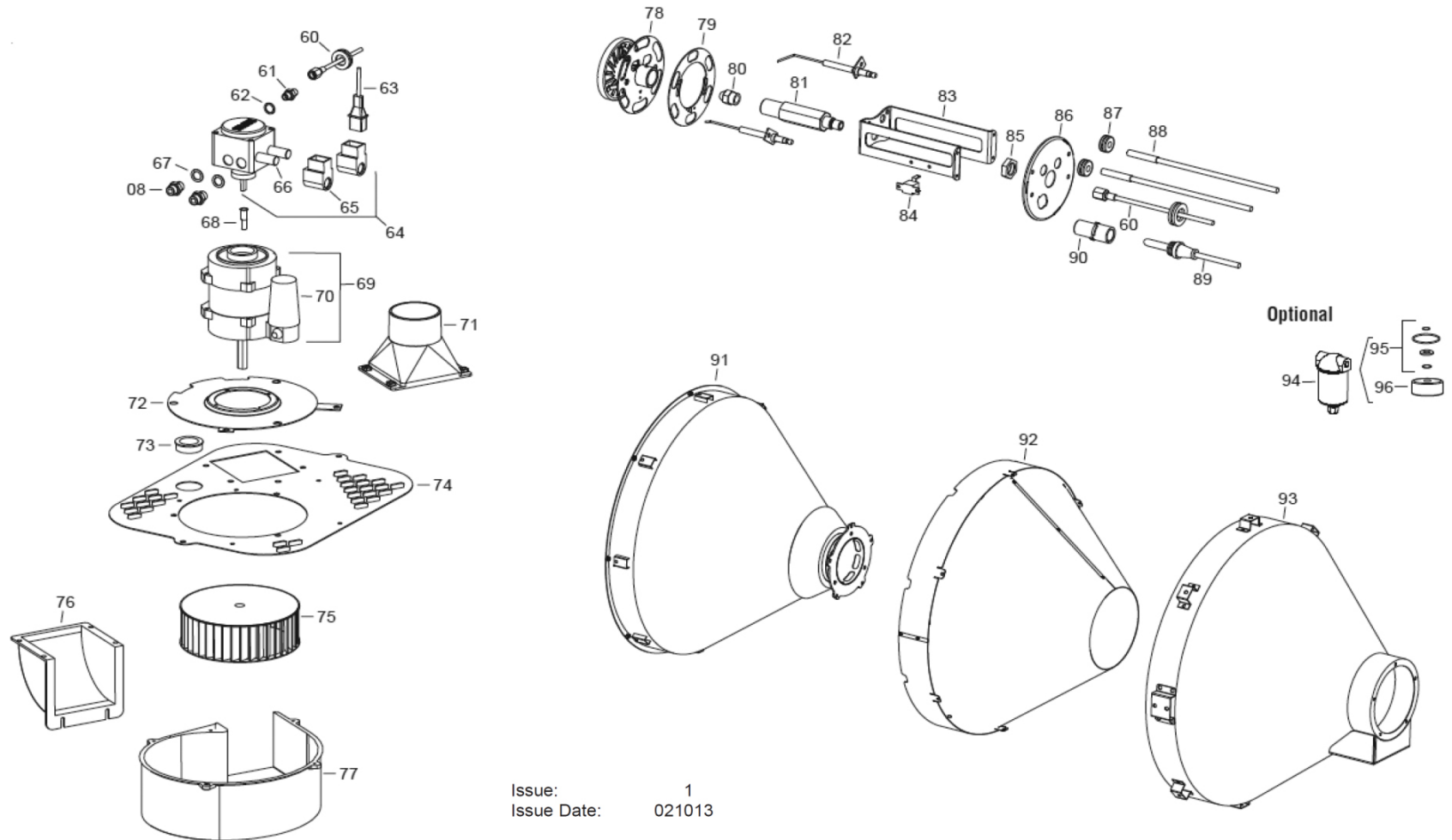
www.sealey.co.uk

Item	Part No.	Description
1	IR55.01	FRONT COVER
2	IR55.02	LOWER COVER (MOVEABLE)
3	IR55.03	LOWER COVER
4	IR55.04	UPPER COVER
5	IR55.05	FRONT DISC
6	IR55.06	UPPER BODY
7	IR55.07	PIPE 1/4"FF (L-420MM)
8	AB70P.39	NIPPLE 1/4"
9	IR55.09	FILTER SUPPORT
10	IR55.10	FILTER COMPLETE
11	IR55.11	OIL FILTER KIT
12	IR55.12	FILTER CARTRIDGE
13	IR55.13	FILTER HOUSING
14	IR55.14	TUBE 1/4"FF (L-260MM)
15	IR55.15	SIDE COVER, RIGHT
16	IR55.16	BRACKET
17	IR55.17	FRAME
18	IR55.18	FRAME KNOB (M8x25)
19	IR55.19	PLUG 25MM
20	IR55.20	HANDLE
21	AB70P.51	PLUG
22	IR55.22	REAR PANEL
23	IR55.23	TANK PLUG
24	IR55.24	ELECTRICAL DRAWER SUPPORT
25	IR55.25	ELECTRICAL DRAWER (COMPLETE)
--	IR55.25A	ELECTRICAL COMPONENTS DRAWER
26	IR55.26	FOOT
27	IR55.27	FUEL TANK 65ltr
28	IR55.28	DRAIN PLUG M16x1.5MM
29	IR55.29	O-RING 16x2.62
30	IR55.30	WHEEL AXEL
31	FWM24.S	FLAT WASHER M24 SINGLE
32	IR55.32	WHEEL, FIXED (295x25x68)
33	IR55.33	WHEEL RETAINER
34	AB125P.35	WHEEL COVER
35	AB70P.17	NIPPLE 1/4"
36	AB125P.25	PIPE (L=220mm)
37	IR55.37	FRONT PANEL
38	IR55.38	SIDE COVER, LEFT
39	IR55.39	BRACKET
40	IR55.40	BURNER CYLINDER
41	AB70P.24	TERMINAL BOARD
42	IR55.42	GAS HOSE (L-350MM)
43	IR55.43	ELECTRICAL DRAWER
--	IR55.43A	ELECTRIC COMPONENTS DRAWER (NOT SHOWN)
44	LP200.V4-97	FUSE HOLDER
45	IR55.45	FUSE (6x30)16A
46	IR55.46	CONDENSOR
47	AB70P.29	TERMINAL BOARD
48	IR55.48	RELAY
49	LP200.V4-42	TERMINAL BOARD
50	IR55.50	TRANSFORMER 230V
51	IR55.51	CONTROL BOX

Item	Part No.	Description
--	IR55.51A	CONTROL BOX BRAHMA TGRD 92 (NOT SHOWN)
--	AB125P.49	PLATE FOR FLAME CONTROL UNIT (NOT SHOWN)
52	IR55.52A	PLATE FOR ELECTRICAL COMPONENTS
53	AB70P.33	BUTTON PROTECTION
54	IR55.54	SWITCH
55	AB125P.51	THERMOSTAT PLUG
56	AB125P.52	DRAIN PLUG
57	IR55.57	SWITCH (ON/OFF)
58	IR55.58	PLUG & WIRE
59	AB125P.54	LAMP 230V (SO)
60	IR55.60	MICROPIPE (L-450MM)
61	IR55.61	NIPPLE 1/8" MM
62	IR55.62	SEALING RING
63	IR55.63	SOLENOID VALVE CABLE
64	IR55.64	PUMP (DANFOSS) INCLUDES AB70P.37 SOLENOID
--	IR55.64A	PUMP SUNTEK AT2 45 BK 2S (NOT SHOWN)
--	AB70P.37	SOLENOID COIL (NOT SHOWN)
65	IR55.65A	SOLENOID SPOOL AT2 45 BK 2S SUNTEK
66	IR55.66	SOLENOID VALVE (DANFOSS)
--	IR55.66A	SOLENOID VALVE BODY TORQUE SUNTEK (NOT SHOWN)
67	IR55.67	WASHER 1/4" x 1.5
68	AB70P.40	COUPLING
69	IR55.69	MOTOR ASS'Y 200W
70	AB125P.06	CAPACITOR 6.3uF 425v 475v 55x35
71	IR55.71	MOTOR COVER
72	IR55.72	FAN & MOTOR SUPPORT
73	AB125P.24	PROTECTION CABLE
74	IR55.74	FAN & MOTOR SUPPORT
75	IR55.75	MOTOR FAN
76	IR55.76	COVER PLATE (90deg)
77	IR55.77	FAN COVER
78	IR55.78	TURBO DISC
79	IR55.79	AIR REGULATION DISC
80	IR55.80	NOZZLE 0.85 GPH80
--	IR55.80A	NOZZLE 0.75 GHP80 (NOT SHOWN)
81	IR55.81	NOZZLE SUPPORT
82	IR55.82	ELECTRODE
83	IR55.83	ELECTRODE SUPPORT
84	AB70P.27	FLAME SENSOR
85	IR55.85	NUT M14 (BRASS)
86	IR55.86	BURNER FLANGE 102MM
87	IR55.87	CABLE PROTECTION 12MM
88	IR55.88	H.T. CABLE CONNECT. L=1200MM
89	IR55.89	PROTECTION FOR PHOTOCCELL
90	AB125P.68	PHOTOCCELL
91	IR55.91	RADIANT CONE (OUTER)
92	IR55.92	RADIANT CONE (INNER)
93	IR55.93	RADIANT CONE (EXTERNAL)
94	IR55.94	HEATER FILTER COMPLETE
95	IR55.95	OIL FILTER KIT
96	IR55.96	FILTER CARTRIDGE
97	IR55.97	SEAL 1.1/4"



Parts Information:
Infrared Paraffin/Kerosene/Diesel Heater 45.5kW 230V
Model No: IR55



NOTE: It is our policy to continually improve products and as such we reserve the right to alter data, specifications and component parts without prior notice.

IMPORTANT: No liability is accepted for incorrect use of product.

WARRANTY: Guarantee is 12 months from purchase date, proof of which will be required for any claim.

Sealey Group, Kempson Way, Suffolk Business Park, Bury St Edmunds, Suffolk. IP32 7AR



01284 757500



01284 703534



sales@sealey.co.uk



www.sealey.co.uk