



INSTRUCTIONS FOR:

# SINGLE POST MOTORCYCLE LIFT 450kg

MODEL No: **MCL500**

Thank you for purchasing a Sealey product. Manufactured to a high standard this product will, if used according to these instructions and properly maintained, give you years of trouble free performance.



**IMPORTANT: PLEASE READ THESE INSTRUCTIONS CAREFULLY. NOTE THE SAFE OPERATIONAL REQUIREMENTS, WARNINGS AND CAUTIONS. USE THE PRODUCT CORRECTLY AND WITH CARE FOR THE PURPOSE FOR WHICH IT IS INTENDED. FAILURE TO DO SO MAY CAUSE DAMAGE AND/OR PERSONAL INJURY AND WILL INVALIDATE THE WARRANTY. PLEASE KEEP INSTRUCTIONS SAFE FOR FUTURE USE.**

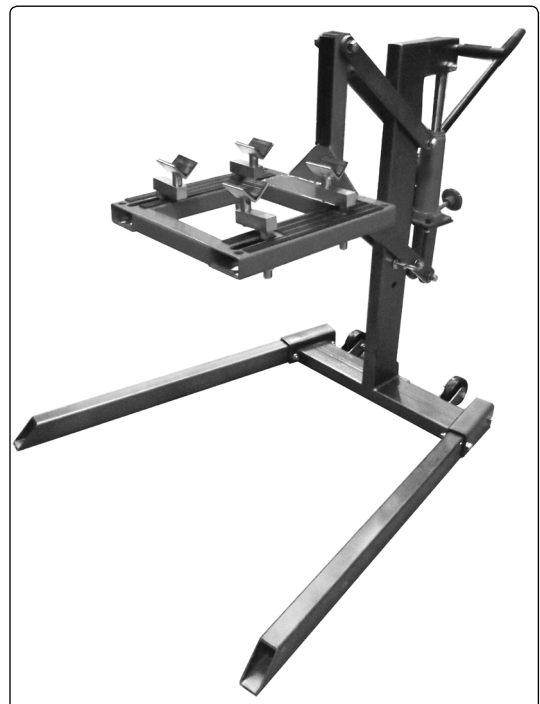
## 1. SAFETY INSTRUCTIONS

- WARNING!** Ensure that the motorcycle is adequately secured to the lifting platform with appropriate straps before raising the load.
- ✓ Maintain the lift in good condition (use an authorised service agent).
- ✓ Replace or repair damaged parts. *Use genuine parts only. Unauthorised parts may be dangerous and will invalidate the warranty.*
- ✓ Use a qualified person to lubricate and maintain the lift. **DO NOT** use brake fluid to top up hydraulic unit.
- ✓ Locate the lift in a suitable work area, keep area clean and tidy and free from unrelated materials, and ensure that there is adequate lighting. Also ensure that the floor is level and strong enough (preferably concrete) to take the weight of the lift and the bike. **DO NOT** operate the lift on tarmac, as the surface may be unstable.
- ✓ Keep the lift clean for best and safest performance.
- ✓ The maximum motorcycle weight is 450kg. **DO NOT** exceed this rated capacity.
- ✓ Remove ill fitting clothing. Remove ties, watches, rings and other loose jewellery, and contain long hair.
- ✓ Maintain correct balance and footing, do not over reach. Ensure the floor is not slippery and wear non-slip shoes.
- ✓ Before lifting check that there are no overhead obstructions.
- ✓ When platform has been raised to the working height ensure the locking pin is engaged to prevent accidental lowering.
- ✓ Keep children and unauthorised persons away from the work area.
- ✓ The lowering speed will vary according to the weight of the load and the setting of the release valve.
- x **DO NOT** use the lift for a task it is not designed to perform.
- x **DO NOT** operate the lift if damaged.
- x **DO NOT** exceed the rated capacity of the lift.
- x **DO NOT** operate the lift when you are tired or under the influence of alcohol, drugs or intoxicating medication.
- x **DO NOT** allow untrained persons to operate the lift.
- x **DO NOT** make any modifications to the lift and **DO NOT** adjust or tamper with the safety valve.
- x **DO NOT** sit or stand on the lift or hold onto it when it is being raised or lowered.
- x **DO NOT** attempt to raise the lift using manual strength.
- x **DO NOT** allow anyone to stand near the interior frame of the lift whilst raising or lowering.
- x **DO NOT** use the ram alone to maintain a raised motorcycle. **ALWAYS** insert the locking pin.
- ✓ Before lowering the lift ensure that there are no obstructions underneath and that all persons are standing clear.
- ✓ Before storing in safe area, ensure all parts are clean and free of grease and oil. Store lift in the lowest position.
- WARNING!** *The warnings, cautions and instructions referred to in this manual cannot cover all possible conditions and situations that may occur. It must be understood that common sense and caution are factors which cannot be built into this product, but must be applied by the operator.*

## 2. INTRODUCTION & SPECIFICATION

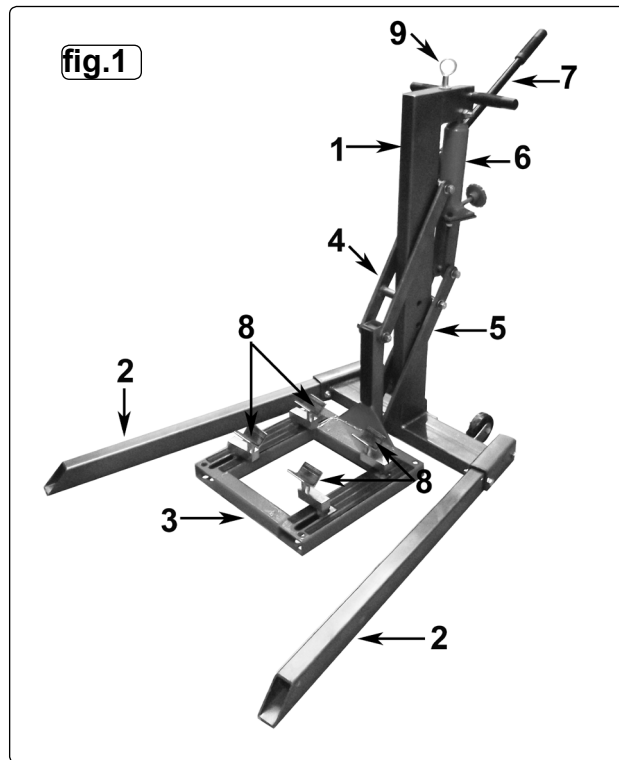
Space saving design maximises garage working area. With a low minimum height of 65mm (without frame supports), it will lift and support the bike through a full lift up to a maximum height of 740mm (840mm with frame supports). Lockable in 2 positions for supporting the motorcycle for extended periods on the lift. Unlike most other motorcycle lifts, it is possible to remove both wheels, front forks, steering assembly, rear swing arm and suspension units as well as the engine. This lift also benefits from being portable so can be used anywhere on a hard level floor thus making this suitable for mobile motorcycle mechanics. Ideal for use with the Sealey range of wheel chocks to assist supporting the motorcycle whilst adjusting the frame supports and securing to the lift.

Model No: ..... **MCL500**  
 Capacity: ..... 450kg  
 Min./Max. Lift Height (without frame support): ..... 65/740mm  
 Min./Max. Lift Height (with frame support): ..... 165/840mm  
 Frame Height: ..... 920mm  
 Maximum Frame Width: ..... 980mm



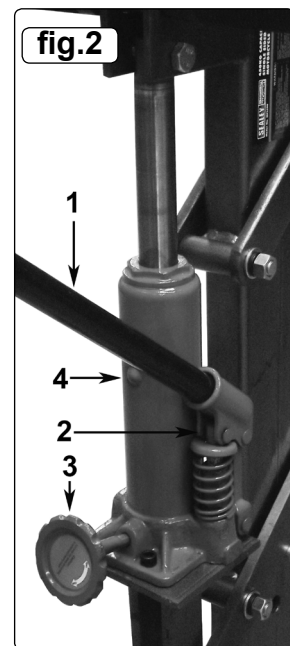
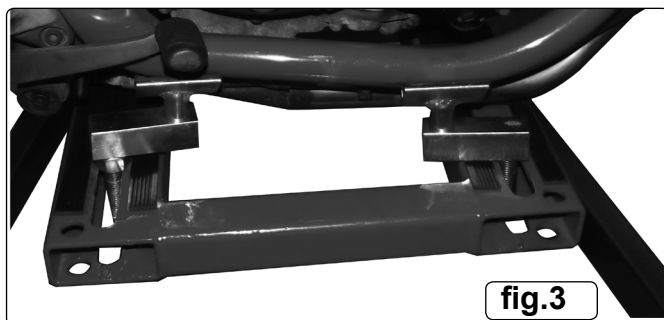
### 3. ASSEMBLY

- 3.1. Locate the legs (fig.1.2) into the body assembly (fig.1.1) and secure using M12 bolts, nuts and washers.
- 3.2. Secure the cradle assembly (fig.1.3) to the upper (fig.1.4) and lower parallel arms (fig.1.5) using pins and M12 nuts and washers.
- 3.3. Secure the head of the hydraulic unit (fig.1.6) to the body assembly (fig.1.1) using an M12 bolt, nut and washers.
- 3.4. The foot of the hydraulic unit is secured using 2 x M8 internal hex bolts with nuts and washers.
- 3.5. Locate the pumping handle (fig.1.7/2.1) into the pump socket (fig.2.2).
- 3.6. **BLEEDING THE HYDRAULIC UNIT**
  - 3.6.1. The hydraulic unit will require bleeding before use owing to the oil being disturbed during transport. Open the release valve (fig.2.3) slightly and pump about 20 strokes with the pump handle (2.1). Close the valve and top-up the reservoir with a good quality jack oil (**NOT** brake fluid). To do this, remove the reservoir cap (fig.2.4) and fill to just below the level of the entry. Replace the cap.
  - 3.6.2. The action of the jack should now be firm, all air having been expelled from the system. If not, repeat step 3.6.1.
- 3.7. When not in use, the locking pin should be kept safe by placing it in the top of the body assembly as in fig1.9.

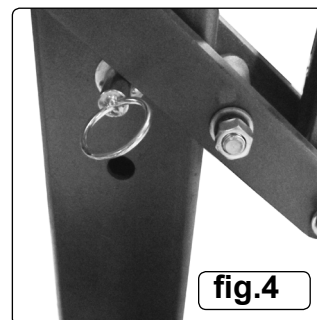


### 4. OPERATING INSTRUCTIONS

- WARNING!** Ensure that you read, understand and apply the safety instructions before use.
  - WARNING! DO NOT** attempt to overload the lift.
- 4.1 Position the lift in a suitable area, checking that the surface on which the lift will stand is solid and flat (preferably concrete). To move the lift, pull back until the wheels are in contact with the ground.
  - 4.2. The lift may be used either with or without the frame supports (fig.1.8) in place. If desired, drop the threaded stems through the slots in the cradle frame and secure the stands in the correct position with an M16 nut. A second nut may be fitted to the stem above the frame to alter the relative height of the stands.
  - 4.3. **DO NOT** attempt to lift a motorcycle without securing to the cradle with suitable ratchet straps.
  - 4.4. Position the cradle beneath the motorcycle and adjust the position of the frame supports beneath suitable parts of the frame, taking care not to damage any exhaust components, pipes or cables. (see fig.3).



- 4.5. **TO LIFT:** Close the release valve fully and use the pump handle to raise the cradle into light contact with the motorcycle frame. Tighten the nuts on the frame support stems to lock.
- 4.6. Secure the load with ratchet straps.
- 4.7. Pump up to a convenient height; **DO NOT** leave the load supported by the hydraulic unit alone; insert the locking pin into the hole below the lower arm and lower the arm gently onto the pin (fig.4) by opening the release valve (fig.2.3) gradually.
- 4.8. **TO LOWER:** Before lowering, ensure that the area below the cradle is clear and that everyone stands well clear of the mechanism. Close the release valve and pump the cradle clear of the locking pin. Remove the locking pin.
  - 4.8.1. Open the release valve gradually to allow the cradle to descend gently. When the motorcycle is bearing its own weight, close the release valve and remove the strapping; when removed, open the release valve again to allow the cradle to settle at its minimum height.
- 4.9. Withdraw the lift from beneath the motorcycle.
- 4.10. Store in a safe, dry, child proof location when not in use.



## 5. MAINTENANCE

- 5.1. When the lift is not in use, it must be returned to its lowest position to minimise ram and piston corrosion.
- 5.2. Keep the lift clean and wipe off any oil or grease. Lubricate all moving parts..
- 5.3. Before each use check all parts. If any part of the lift is damaged or suspect, remove lift from service and take necessary action to repair.  
**DO NOT** use the lift if it is believed to have been subjected to abnormal load or shock. Inspect and take appropriate action.
- 5.4. Check the ram and piston periodically for signs of corrosion. Clean exposed areas with a clean oiled cloth.
- 5.5 **Topping up the oil.** Top up the oil as in section 3.6.1. above. Use only a good quality jack oil, such as Sealey Jack Oil.  
**DO NOT** use any other fluid such as: brake fluid, automatic transmission fluid or engine oil.

## 6. TROUBLESHOOTING

SYMPTOM	POSSIBLE CAUSE	SOLUTION
Jack will not lift load.	Release valve not tightly closed.	Close release valve fully.
	Overload condition.	Remove/reduce load
	Hydraulic unit malfunction	Service hydraulic unit
Jack will lift but not retain pressure	Release valve not tightly closed.	Close release valve fully.
	Overload condition.	Remove/reduce load
	Hydraulic unit malfunction	Service hydraulic unit
Jack will lift not lower after unloading	Reservoir overfilled	Drain fluid to correct level
	Linkages binding	Clean & lubricate moving parts
Poor lift performance	Fluid level low	Ensure proper fluid level
	Air trapped in system	Bleed system
Poor lift performance	Fluid level low	Top up to correct level
	Air trapped in system	Bleed system
Will not lift to full extension	Fluid level low	Ensure proper fluid level

### IMPORTANT: NO RESPONSIBILITY IS ACCEPTED FOR INCORRECT USE OF THE LIFT.

Hydraulic products are repaired by local service agents only. We have service/repair agents in all parts of the UK.

**DO NOT** return the product to us. Please call us on 01284 757500 to obtain the address and telephone number of your local agent. If the product is under guarantee please contact your dealer.

**De-commissioning:** Should the lift become completely unserviceable, draw off the oil into an approved container and dispose of the lift and the oil according to local regulations.



#### Environmental Protection.

Recycle unwanted materials instead of disposing of them as waste. All tools, accessories and packaging should be sorted, taken to a recycle centre and disposed of in a manner which is compatible with the environment.

Parts support is available for this product. To obtain a parts listing and/or a diagram please log on to: [www.sealey.co.uk](http://www.sealey.co.uk), email: [sales@sealey.co.uk](mailto:sales@sealey.co.uk) or phone: 01284 757500

**NOTE:** It is our policy to continually improve products and as such we reserve the right to alter data, specifications and component parts without prior notice.

**IMPORTANT:** No liability is accepted for incorrect use of this product.

**WARRANTY:** Guarantee is 12 months from purchase date, proof of which will be required for any claim.

**INFORMATION:** For a copy of our latest catalogue and promotions call us on 01284 757525 and leave your full name and address, including postcode.



Sole UK Distributor, Sealey Group,  
Kempson Way, Suffolk Business Park,  
Bury St. Edmunds, Suffolk,  
IP32 7AR



01284 757500



01284 703534



[www.sealey.co.uk](http://www.sealey.co.uk)



[sales@sealey.co.uk](mailto:sales@sealey.co.uk)