



# INSTRUCTIONS FOR: FRONT LOWER CONTROL ARM BUSH TOOL - BMW 3 SERIES

MODEL No: **VSE5586**

Thank you for purchasing a Sealey Product. Manufactured to a high standard this product will, if used according to these instructions and properly maintained, give you years of trouble free performance.



**IMPORTANT: PLEASE READ THESE INSTRUCTIONS CAREFULLY. NOTE THE SAFE OPERATIONAL REQUIREMENTS, WARNINGS AND CAUTIONS. USE THIS PRODUCT CORRECTLY AND WITH CARE FOR THE PURPOSE FOR WHICH IT IS INTENDED. FAILURE TO DO SO MAY CAUSE DAMAGE AND/OR PERSONAL INJURY AND WILL INVALIDATE THE WARRANTY. PLEASE KEEP INSTRUCTIONS SAFE FOR FUTURE USE.**

## 1. SAFETY INSTRUCTIONS

- ❑ **WARNING!** Ensure Health & Safety, local authority, and general workshop practice regulations are adhered to when using this tool.
- ❑ **WARNING!** Familiarise yourself with the specific applications and limitations of this tool, as well as any potential hazards.
- ✓ This tool should be used in conjunction with inspection maintenance procedures recommended in the vehicle manufacturer's manual.
- ✓ Ensure that this tool is the correct tool for the task.
- ✓ Ensure that the vehicle is properly supported with axle stands before working under the vehicle.
- ✓ Ensure that there is adequate lighting prior to using this tool.  
A range of inspection lamps are available from your local Sealey dealer.
- ✓ Keep children and unauthorised persons away from the working area.
- ✓ Keep the force screw well lubricated during operation to ease removal and insertion of bushes.
- ✗ **DO NOT** use this tool for any purpose other than that for which it is designed.
- ✗ **DO NOT** use air tools with this tool.
- ✗ **DO NOT** use this tool if any parts are missing or damaged, as this may cause failure and/or personal injury.
- ✗ **DO NOT** use this tool when you are tired, or under the influence of alcohol, drugs or intoxicating medication.
- ✓ When not in use, store in a safe, dry location.



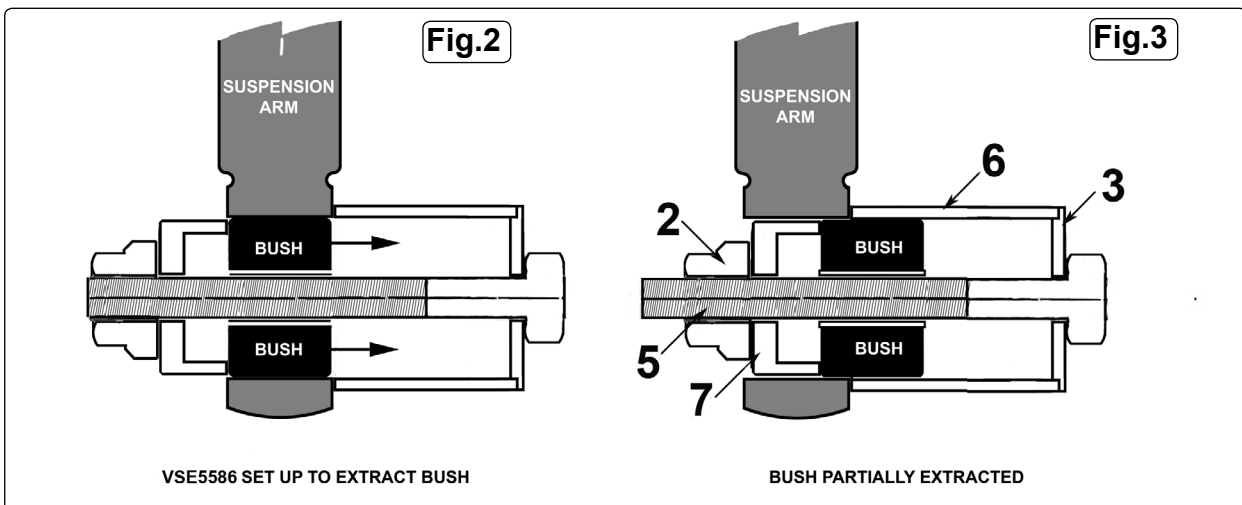
Item:	Part No:	Description:
1	VSE5568.01	Press Clamp Assembly
2	VSE5568.02	Force Screw Nut
3	VSE5568.03	Adaptor Plate
4	VSE5568.04	Adaptor Ring
5	VSE5568.05	Force Screw
6	VSE5568.06	Adaptor sleeve
7	VSE5568.07	Adaptor cup plate

## 2. INTRODUCTION & APPLICATIONS

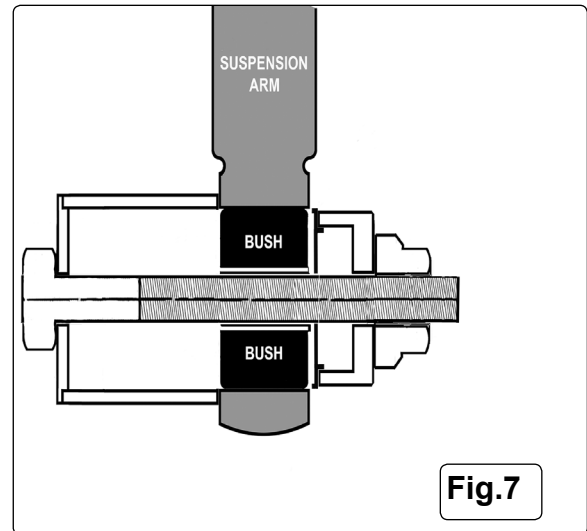
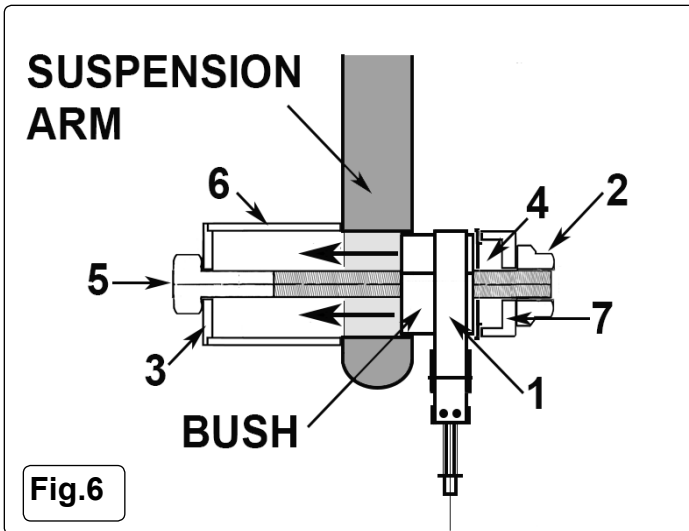
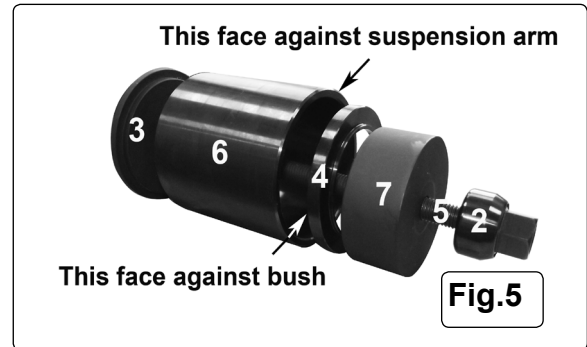
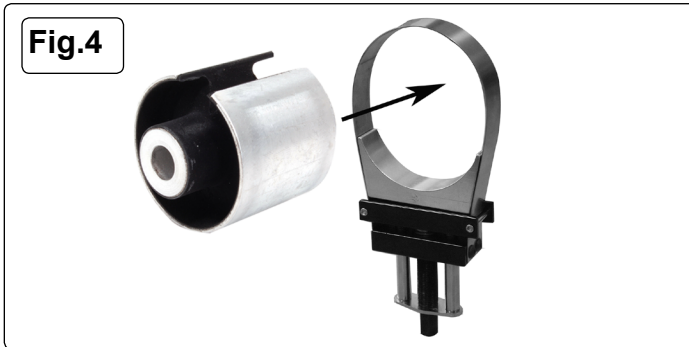
Suitable for the removal/installation of the front lower control arm bush on BMW 3 Series. Can be used in-situ without removing the arm from the vehicle. When installing the new bushes, they must be held compressed while being pressed into the suspension control arm which this tool is designed for. Supplied in carry-case.

**APPLICATIONS:** BMW 330xi: E90, E91, E92 3 Series (2005-2013)

## 3. OPERATION

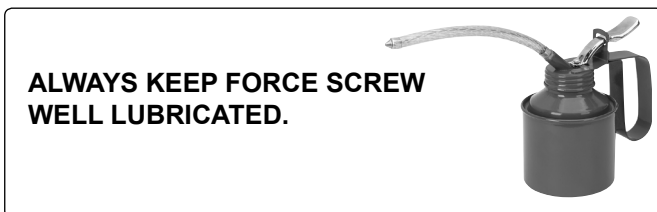


- 3.1. REMOVING BUSH (Figs.2 & 3)**
- 3.1.1. Place force screw (5) through adaptor plate (3).
  - 3.1.2. Hold the adaptor adaptor sleeve (6) against the suspension arm and push the force screw through the centre of the bush.
  - 3.1.3. Place the open face of the adaptor cup plate (7) against the other side of the bush and run the force screw nut (5) up the thread until finger tight.
  - 3.1.4. Apply a 15mm spanner to the head of the force screw and a 19mm socket to the force screw nut.
  - 3.1.5. Tighten the force screw nut, forcing the bush from the suspension arm.



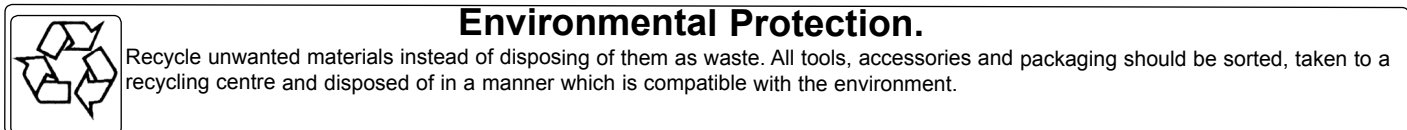
### 3.2. INSTALLING REPLACEMENT BUSH

- 3.2.1. Place press clamp assembly (Fig.1.1) over the bush as in Fig.4. Place to one end of the bush rather than centrally.
- 3.2.2. Using a 10mm spanner, tighten the screw to close the gap in the bush.
- 3.2.3. Place the force screw (Fig.1.5) through the adaptor plate (Fig.1.3) and then place the adaptor plate on the adaptor sleeve.
- 3.2.4. Place the adaptor sleeve against the suspension arm with the force screw going through the housing.
- 3.2.5. Place the adaptor sleeve (Fig.1.4) against the outer face of the compressed bush and locate the bush against the other side of the suspension arm. Put the adaptor cup plate (Fig.1.7) against the thrust washer and over the force screw. The arrangement is shown in Fig.5
- 3.2.6. Run the force screw nut up until finger tight. Using a spanner and socket as in 3.1.4. force the bush into the suspension arm housing until the compressor is nearly touching the arm as in Fig.6.
- 3.2.7. At this point, remove the socket from the force screw nut and release the tension on the press clamp assembly. Remove the press clamp assembly over the adaptor cup plate.
- 3.2.8. Replace the socket on the force screw nut and continue winding the bush into the housing until fully home as in Fig.7.



**Force screw maximum load 150Nm. Exceeding this load will shorten the life of the force screw. The force screw is considered to be a consumable item and is NOT covered under warranty.**

**Parts support is available for this product.**  
**To obtain a parts list and diagram please log on to [www.sealey.co.uk](http://www.sealey.co.uk), email [sales@sealey.co.uk](mailto:sales@sealey.co.uk) or telephone 01284 757500**



**NOTE:** It is our policy to continually improve products and as such we reserve the right to alter data, specifications and component parts without prior notice.  
**IMPORTANT:** No liability is accepted for incorrect use of this product.

**WARRANTY:** Guarantee is 12 months from purchase date, proof of which will be required for any claim.

**INFORMATION:** For a copy of our latest catalogue and promotions call us on 01284 757525 and leave your full name and address, including postcode.



**Sole UK Distributor, Sealey Group,**  
 Kempson Way, Suffolk Business Park,  
 Bury St. Edmunds, Suffolk,  
 IP32 7AR



01284 757500

01284 703534



[www.sealey.co.uk](http://www.sealey.co.uk)



[sales@sealey.co.uk](mailto:sales@sealey.co.uk)