



INSTRUCTIONS FOR:
MIG TORCH EURO CONNECTOR

PART Nos: **MIG/N315, MIG/N325, MIG/N336,
MIG/N415, MIG/N425, MIG/N436**

Thank you for purchasing a Sealey Product. Manufactured to a high standard this product will, if used according to these instructions and properly maintained, give you years of trouble performance.



IMPORTANT: PLEASE READ THESE INSTRUCTIONS CAREFULLY. NOTE THE SAFE OPERATIONAL REQUIREMENTS, WARNINGS AND CAUTIONS. USE THIS PRODUCT CORRECTLY AND WITH CARE FOR THE PURPOSE FOR WHICH IT IS INTENDED. FAILURE TO DO SO MAY CAUSE DAMAGE AND/OR PERSONAL INJURY AND WILL INVALIDATE THE WARRANTY. PLEASE KEEP INSTRUCTIONS SAFE FOR FUTURE USE.

1. SAFETY INSTRUCTIONS

- **BEFORE USE, ALWAYS ENSURE THAT YOU ARE FAMILIAR WITH THE SAFETY WARNINGS AND INSTRUCTIONS FOR THE WELDER TO WHICH THIS TORCH IS TO BE FITTED.**
- ✗ **DO NOT** exceed the rated current of the torch.
- ✗ **DO NOT** use if any part of the torch, cable or connector is damaged in any way. Use only genuine Sealey replacement parts to effect repairs.
- ✗ **DO NOT** allow the cable to come into contact with any sharp or hot items.
- ✓ Always use the correct personal protective equipment as specified in the welder instructions.



MIG/N315, MIG/N415



MIG/N325, MIG/N425



MIG/N336, MIG/N436

2. INTRODUCTION & SPECIFICATIONS

Professional MIG welding torches with contoured grip, hanging hook and heat-proof cable. Fitted with Euro connection enabling a quick and simple plug connection to welder. No wiring means torch can be disconnected and stored safely when not being used.

Model No:	MIG/N315	MIG/N325	MIG/N336	MIG/N415	MIG/N425	MIG/N436
Rated Current:180A230A250A290A340A350A
Wire Diameter:0.6-1mm0.8-1.2mm0.8-1.2mm0.8-1.2mm0.8-1.6mm1-2.4mm
Length:3mtr3mtr3mtr4mtr4mtr4mtr
Torch Type:MB15MB25MB36MB15MB25MB36

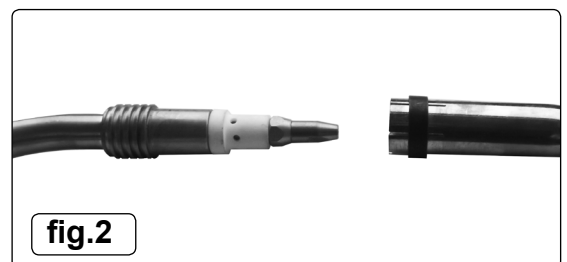
3. TIP & SHROUD REMOVAL

ENSURE THAT THE TORCH IS COOL AND THAT THE WELDER IS DISCONNECTED FROM THE POWER SUPPLY.

- 3.1. MIG/N315, MIG/N415, MIG/N325, MIG/N425 (fig.1)**
- 3.1.1. To remove the shroud: turn the shroud clockwise and pull away.
 - 3.1.2. To remove the tip: unscrew the tip in an anticlockwise direction.
 - 3.1.3. To replace the tip: screw back in and tighten.
 - 3.1.4. To replace the shroud: simply push the shroud back over the spring.



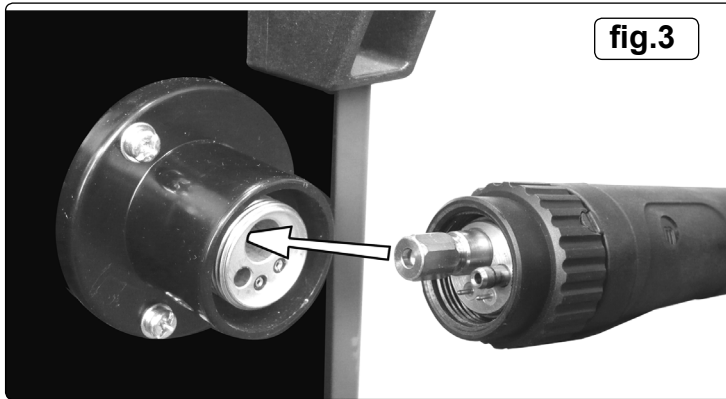
- 3.2. MIG/N336, MIG/N436 (fig.2)**
- 3.2.1. To remove the shroud: pull the shroud forward to release.
 - 3.2.2. To remove the tip: unscrew the tip in an anticlockwise direction.
 - 3.2.3. To replace the tip: screw back in and tighten.
 - 3.2.4. To replace the shroud: push back over the torch head.



4. COUPLING THE EURO CONNECTOR

Ensure that the welder is disconnected from the power supply before connecting the torch.

- 4.1. Line the male and female connector up carefully and insert the torch connections. (fig.3)
- 4.2. Screw the outer collar around the torch onto the welder torch connector to fix in place. (fig.4)
- 4.3. See the welder instructions for wire feed details.



Environmental Protection.
Recycle unwanted materials instead of disposing of them as waste. All tools, accessories and packaging should be sorted, taken to a recycling centre and disposed of in a manner which is compatible with the environment.



WEEE Regulations.
Dispose of this product at the end of its working life in compliance with the EU Directive on Waste Electrical and Electronic Equipment. When the product is no longer required, it must be disposed of in an environmentally protective way. Contact your local solid waste authority for recycling information.

NOTE: It is our policy to continually improve products and as such we reserve the right to alter data, specifications and component parts without prior notice.
IMPORTANT: No liability is accepted for incorrect use of this product.

WARRANTY: Guarantee is 12 months from purchase date, proof of which will be required for any claim.

INFORMATION: For a copy of our latest catalogue and promotions call us on 01284 757525 and leave your full name and address, including postcode.



Sole UK Distributor, Sealey Group,
Kempson Way, Suffolk Business
Park, Bury St. Edmunds, Suffolk,
IP32 7AR



01284 757500



www.sealey.co.uk



01284 703534



sales@sealey.co.uk