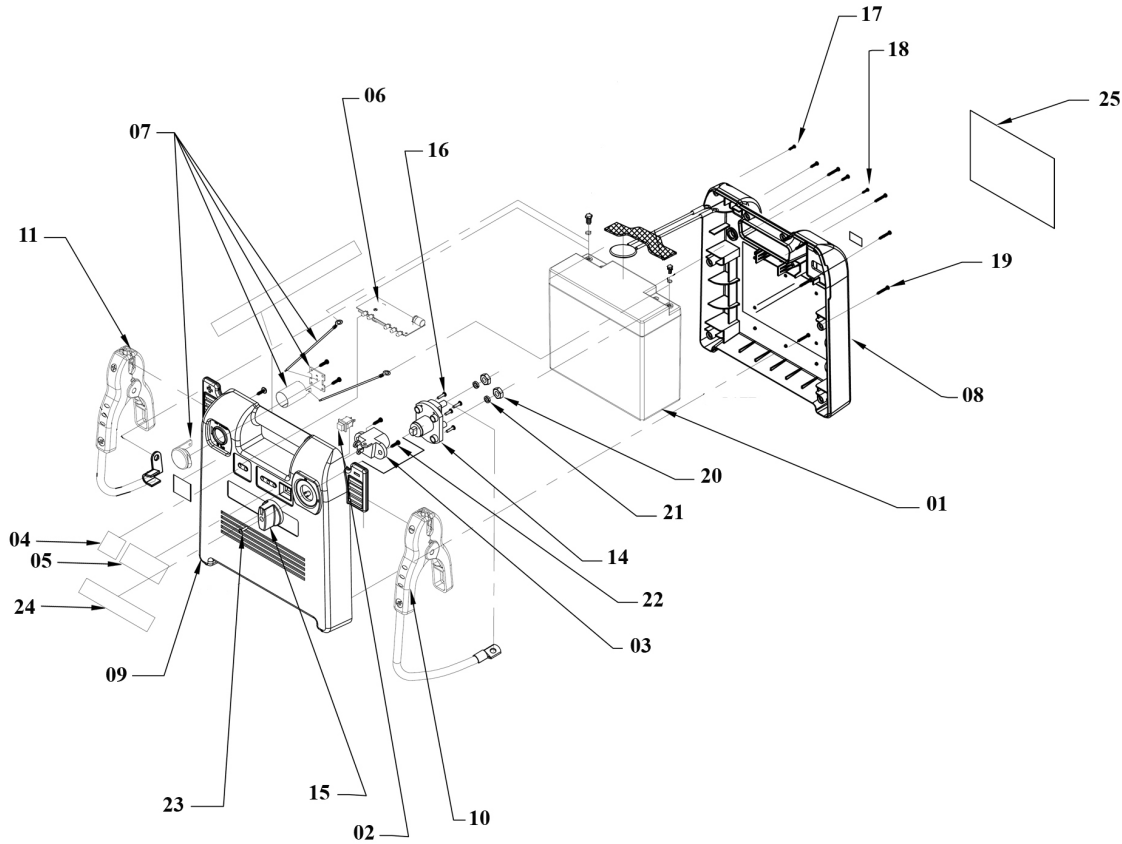




Parts Information:
RoadStart® Emergency Jump Starter 12V
1700 Peak Amps DEKRA Approved
Model No: PBI1812S



Item	Part No.	Description
1	PBI1812S.01	BATTERY 22AH 12V
2	PBI1812S.02	SWITCH PUSH KNOB (RED)
3	PBI1812S.03	DC PLUG FEMALE CONNECTOR
4	PBI1812S.04	LABEL (LEFT)
5	PBI1812S.05	LABEL (RIGHT)
6	PBI1812S.06	PCB ASS'Y
7	PBI1812S.07	FIBRE BOARD W/BREAKER ASS'Y
8	PBI1812S.08	BACK CASE (c/w DC MALE PLUG INSERT)
9	PBI1812S.09	FRONT CASE
10	PBI1812S.10	NEGATIVE (BLACK) CLAMP & CABLE
11	PBI1812S.11	POSITIVE (RED) CLAMP & CABLE
--	PBI1812S.12	FOAM INSERT (50x50x40mm) (NOT SHOWN)
--	RS21224.19	BATTERY CLAMP REBUILD KIT (NOT SHOWN)
14	PBI1812S.14	SWITCH ON/OFF
15	RS21203.06	SWITCH KNOB
16	PBI4424S.08	SCREW (M3.5x12)
17	PBI1812S.17	SCREW (M3x12)
18	PBI1812S.18	SCREW (M3.5x6x11)
19	PBI1812S.19	SCREW (M3.5x6x25)
20	SN8.S	STEEL NUT M8 ZINC DIN934 (SINGLE)

Item	Part No.	Description
21	PBI1812S.21	SPRING WASHER
22	PBI1812S.22	SCEW S/T (M2.3x6)
23	PBI4424S.18	SCREW (M3x12)
24	PBI1812S.24	FRONT LABEL 'SEALEY'
25	PBI1812S.25	BACK LABEL
--	PBI1812S.C	TRANSFORMER CE LISTED 17V 0.7A PLUG (NOT SHOWN)
--	PBI1812S.26	ASS'Y BATTERY CABLE WITH FUSE (NOT SHOWN)
--	PBI1812S.27	BATTERY CLAMP REBUILD KIT (NEG) (NOT SHOWN)
--	PBI1812S.28	BATTERY CLAMP REBUILD KIT (POS) (NOT SHOWN)
--	PBI3624S.51	BATTERY CABLE (NOT SHOWN)
--	PBI2212.04	FUSE (HEAVY DUTY) 300AH AMG (NOT SHOWN)
--	PBI1812S.L1	LABEL, LOWER FRONT (PBI1812S) (NOT SHOWN)
--	PBI1812S.L2	LABEL, JUMP START WARNING (PBI1812S) (NOT SHOWN)
--	PBI1812S.L3	LABEL DEKRA (PBI1812S) (NOT SHOWN)
--	PBI4424S.59	PLASTIC FUSIBLE LINK COVER (NOT SHOWN)

NOTE: It is our policy to continually improve products and as such we reserve the right to alter data, specifications and component parts without prior notice.

IMPORTANT: No liability is accepted for incorrect use of product.

WARRANTY: Guarantee is 12 months from purchase date, proof of which will be required for any claim.

Sealey Group, Kempson Way, Suffolk Business Park, Bury St Edmunds, Suffolk. IP32 7AR



01284 757500



01284 703534



sales@sealey.co.uk



www.sealey.co.uk