

EXTERNAL DESKTOP POWER SUPPLY 12VDC 60WATT



T5797ST

Features:

- Universal Input
- IEC-320-C8 Input Connector
- 3 Year Warranty
- Efficiency Level VI
- Safety approved to: UL,CUL,FCC,GS,CE,RCM



Description:

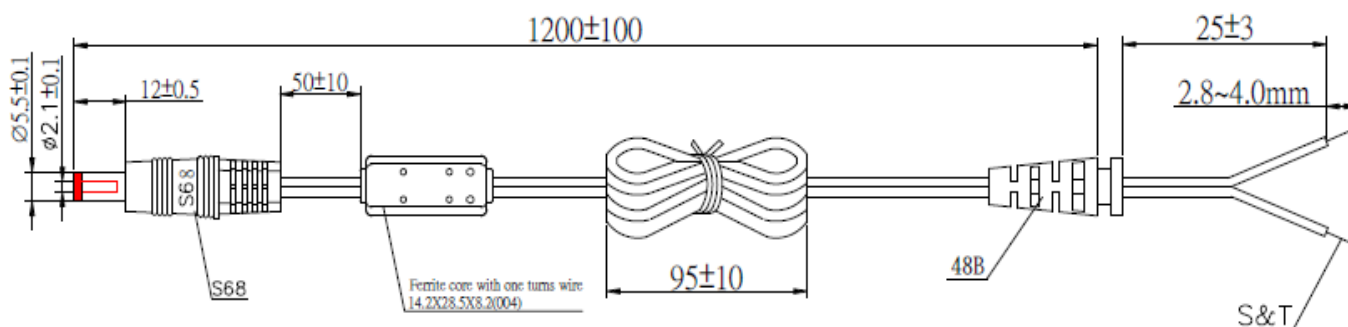
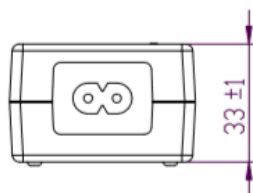
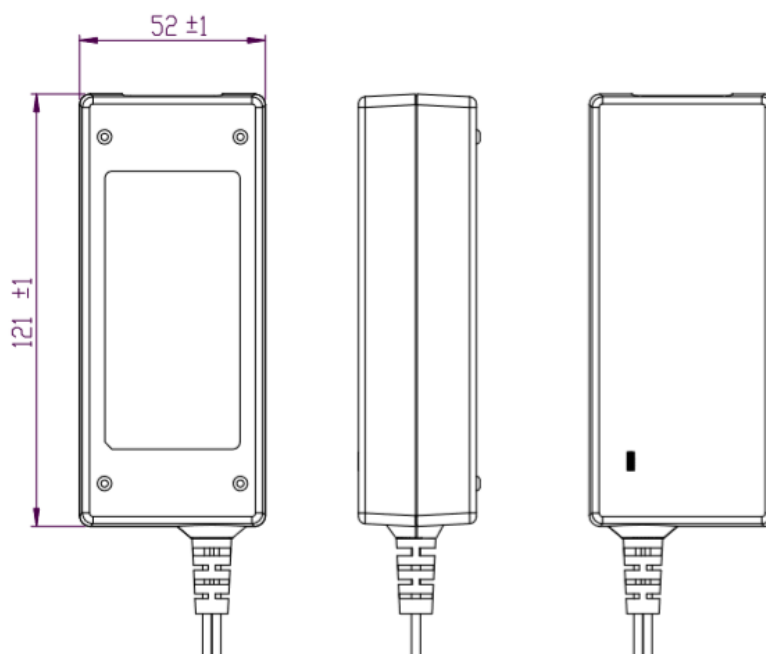
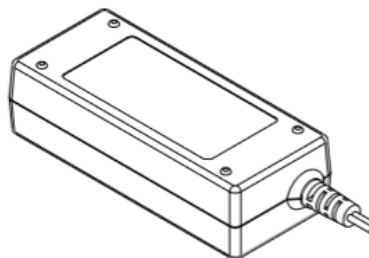
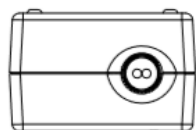
The Stontronics Range of 60 watt AC/DC switch mode power supplies provide 60 watts of continuous output power in a high quality compact enclosure suitable for many general power applications.

Specification	
Part Code	T5797ST
Input Voltage Range	90 → 264 Vac
Input Frequency Range	47 → 63Hz
Input Connector	IEC 320-C8
Input Current Rated	1.5A RMS Max
Inrush Current	No damage
Leakage Current	<0.25mA
Efficiency	88% Min
Input Power (Output: No Load)	<0.21W (CEC & DOE Level VI Compliant) <0.15W (ErP Tier2 Compliant)
Output Voltage Rating	12VDC±5%
Output Current Range	5A
Output Min Current	0A
Output Connection Type	2.1 x 5.5 x 12 mm centre positive – Straight
Line Regulation	±1%
Over Voltage Protection	16V
Short Circuit Protection	Output shut down and auto restart
Ripple Voltage	200mV (p-p) (100-240V AC Input)
Hi-Pot	3000VAC 10mA 1 minute
Safety Approved	UL,CUL,GS,RCM,CE,R-MEPS
EMI Standard	EN55022, C-TICK - AS/NZS CISPER22
Operating Temperature Range	0°C → +40 °C
Storage Temperature	-10°C → +70°C
Operating Humidity	20% to 80%
Storage Humidity	10% to 90%
Dimensions	(L) 121 x (W) 52 x (H) 33mm
Product Weight	200g
Regulator Type	Switched Mode Power Supply

EXTERNAL DESKTOP POWER SUPPLY 12VDC 60WATT

T5797ST

Diagrams



General Note
TT Electronics reserves the right to make changes in product specification without notice or liability. All information is subject to TT Electronics' own data and is considered accurate at time of going to print.

TT Electronics | Stontronics Ltd
Chancerygate Business Centre, Cradock Road, Reading RG2 0AH, UK
t: +44 (0) 118 931 1199