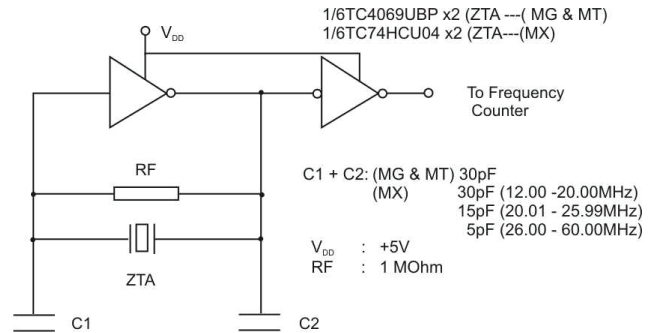
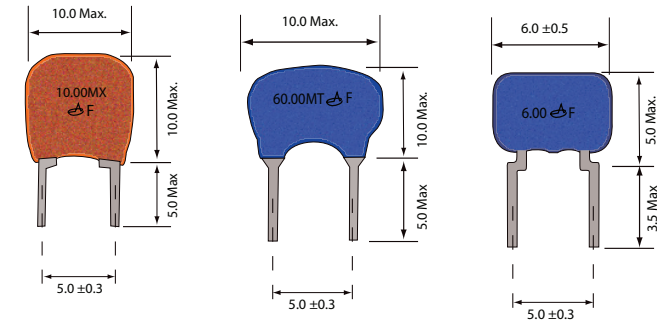


High temperature solder exemption
In accordance with RoHS 2002/95/EC Annex 7

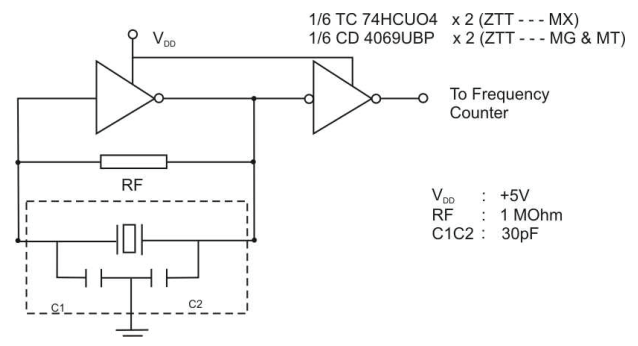
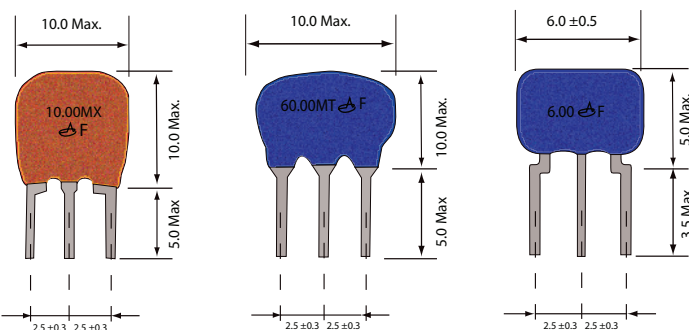
Current part - Recommended for new designs

Model Type	Frequency Range	Frequency Accuracy	Frequency Stability over OTR	Operating Temp. Range	Ageing over 10 Years
ZTA □ MG	1.79 - 6.00 MHz	±0.5% at 25°C	±0.3%	-25°C to +85°C	±0.3%
ZTAWs □ MG	1.79 - 6.00 MHz	±0.5% at 25°C	±0.3%	-25°C to +85°C	±0.3%
ZTALS □ MG	3.00 - 8.00 MHz	±0.5% at 25°C	±0.3%	-25°C to +85°C	±0.3%
ZTARS □ MG	3.00 - 10.00 MHz	±0.5% at 25°C	±0.3%	-25°C to +85°C	±0.3%
ZTA □ MT	6.00 - 13.00 MHz	±0.5% at 25°C	±0.3%	-25°C to +85°C	±0.3%
ZTA □ MX	12.00 - 60.00 MHz	±0.5% at 25°C	±0.3%	-25°C to +85°C	±0.3%
ZTT □ MG	1.79 - 6.00 MHz	±0.5% at 25°C	±0.3%	-25°C to +85°C	±0.3%
ZTTWS □ MG	1.79 - 6.00 MHz	±0.5% at 25°C	±0.3%	-25°C to +85°C	±0.3%
ZTTLS □ MG	3.00 - 8.00 MHz	±0.5% at 25°C	±0.3%	-25°C to +85°C	±0.3%
ZTTRS □ MG	3.00 - 10.00 MHz	±0.5% at 25°C	±0.3%	-25°C to +85°C	±0.3%
ZTT □ MT	6.00 - 13.00 MHz	±0.5% at 25°C	±0.3%	-25°C to +85°C	±0.3%
ZTT □ MX	12.00 - 60.00 MHz	±0.5% at 25°C	±0.3%	-25°C to +85°C	±0.3%

Dimensions (mm) Test Circuit



ZTA Type Resonator



ZTT Type Resonator