

**DRAPER**<sup>®</sup>

**STORMFORCE**

INSTRUCTIONS FOR  
**500W 230V 115mm  
Angle Grinder**

Stock No.83591 Part No.PT5115ASF

**IMPORTANT:** PLEASE READ THESE INSTRUCTIONS CAREFULLY TO ENSURE THE SAFE AND EFFECTIVE USE OF THIS PRODUCT.



CE

**DRAPER**<sup>®</sup>

## GENERAL INFORMATION

These instructions accompanying the product are the original instructions. This document is part of the product, keep it for the life of the product passing it on to any subsequent holder of the product. Read all these instructions before assembling, operating or maintaining this product.

This manual has been compiled by Draper Tools describing the purpose for which the product has been designed, and contains all the necessary information to ensure its correct and safe use. By following all the general safety instructions contained in this manual, it will ensure both product and operator safety, together with longer life of the product itself.

All photographs and drawings in this manual are supplied by Draper Tools to help illustrate the operation of the product.

Whilst every effort has been made to ensure the accuracy of information contained in this manual, the Draper Tools policy of continuous improvement determines the right to make modifications without prior warning.

# 1. TITLE PAGE

---

## 1.1 INTRODUCTION:

USER MANUAL FOR:

### 500W 230V 115MM ANGLE GRINDER

Stock no. 83591

Part no. PT5115ASF

## 1.2 REVISIONS:

Date first published March 2016

\_\_\_\_\_

\_\_\_\_\_

\_\_\_\_\_

As our user manuals are continually updated, users should make sure that they use the very latest version.

Downloads are available from: <http://www.drapertools.com/manuals>

DRAPER TOOLS LIMITED

HURSLEY ROAD

CHANDLER'S FORD

EASTLEIGH

HAMPSHIRE

SO53 1YF

UK

WEBSITE: [drapertools.com](http://drapertools.com)

PRODUCT HELP LINE: +44 (0) 23 8049 4344

GENERAL FAX: +44 (0) 23 8026 0784

## 1.3 UNDERSTANDING THIS MANUALS SAFETY CONTENT:

**WARNING!** Information that draws attention to the risk of injury or death.

**CAUTION!** Information that draws attention to the risk of damage to the product or surroundings.

## 1.4 COPYRIGHT © NOTICE:

Copyright © Draper Tools Limited.

Permission is granted to reproduce this publication for personal & educational use only.

Commercial copying, redistribution, hiring or lending is prohibited.

No part of this publication may be stored in a retrieval system or transmitted in any other form or means without written permission from Draper Tools Limited.

In all cases this copyright notice must remain intact.

---

# 2. CONTENTS

---

## 2.1 CONTENTS

	<b>PAGE CONTENT</b>	<b>PAGE</b>
1	TITLE PAGE	
	1.1 INTRODUCTION .....	2
	1.2 REVISION HISTORY .....	2
	1.3 UNDERSTANDING THIS MANUAL .....	2
	1.4 COPYRIGHT NOTICE .....	2
2	CONTENTS	
	2.1 CONTENTS .....	3
3	GUARANTEE	
	3.1 GUARANTEE .....	4
4	INTRODUCTION	
	4.1 SCOPE .....	5
	4.2 SPECIFICATION .....	5
	4.3 HANDLING & STORAGE .....	5
5	HEALTH & SAFETY INFORMATION	
	5.1 GENERAL SAFETY INSTRUCTIONS FOR POWER TOOL USE .....	6
	5.2 SPECIFIC SAFETY INSTRUCTIONS FOR GRINDER USE .....	6-8
	5.3 SAFETY RECOMMENDATIONS FOR THE CORRECT USE OF ABRASIVE PRODUCTS .....	8
	5.4 SAFETY RECOMMENDATIONS FOR THE CORRECT USE OF SUPERABRASIVES ..	9
	5.5 CONNECTION TO THE POWER SUPPLY .....	10
6	TECHNICAL DESCRIPTION	
	6.1 IDENTIFICATION .....	11
7	UNPACKING & CHECKING	
	7.1 PACKAGING .....	12
	7.2 WHAT'S IN THE BOX? .....	12
8	PREPARING THE GRINDER	
	8.1 FITTING AUXILIARY HANDLES .....	13
	8.2 FITTING THE GUARD .....	13
	8.3 FITTING/REPLACING ACCESSORIES .....	14
9	SETTING THE GRINDER	
	9.1 FITTING BLADE OR ACCESSORIES .....	15
	9.2 ON/OFF SWITCH .....	15
	9.3 GRINDING .....	16
	9.4 CUTTING .....	16
10	OPTIONAL ACCESSORIES	
	10.1 OPTIONAL ACCESSORIES .....	17
11	TROUBLESHOOTING	
	11.1 TROUBLESHOOTING .....	18
12	MAINTENANCE	
	12.1 MAINTENANCE & PART REPLACEMENT .....	19
13	EXPLANATION OF SYMBOLS	
	13.1 EXPLANATION OF SYMBOLS .....	20
14	DISPOSAL	
	14.1 DISPOSAL .....	21
	DECLARATION OF CONFORMITY .....	ENCLOSED

## 3. GUARANTEE

---

### 3.1 *GUARANTEE*

Draper tools have been carefully tested and inspected before shipment and are guaranteed to be free from defective materials and workmanship.

Should the tool develop a fault, please return the complete tool to your nearest distributor or contact Draper Tools Limited, Chandler's Ford, Eastleigh, Hampshire, SO53 1YF. England.

Telephone Sales Desk: (023) 8049 4333 or Product Help Line (023) 8049 4344.

A proof of purchase must be provided with the tool.

If upon inspection it is found that the fault occurring is due to defective materials or workmanship, repairs will be carried out free of charge. This guarantee period covering parts/labour is 12 months from the date of purchase except where tools are hired out when the guarantee period is 90 days from the date of purchase. The guarantee is extended to 24 months for parts only. This guarantee does not apply to normal wear and tear, nor does it cover any damage caused by misuse, careless or unsafe handling, alterations, accidents, or repairs attempted or made by any personnel other than the authorised Draper warranty repair agent.

Note: If the tool is found not to be within the terms of warranty, repairs and carriage charges will be quoted and made accordingly.

This guarantee applies in lieu of any other guarantee expressed or implied and variations of its terms are not authorised.

Your Draper guarantee is not effective unless you can produce upon request a dated receipt or invoice to verify your proof of purchase within the guarantee period.

Please note that this guarantee is an additional benefit and does not affect your statutory rights.

Draper Tools Limited.

## 4. INTRODUCTION

---

### 4.1 SCOPE

This hand held power tool uses abrasive disks to grind metals or masonry. It is intended for domestic and light commercial use only. Any other application is considered misuse.

### 4.2 SPECIFICATION

Stock no .....	83591
Part no .....	PT5115ASF
Motor:	
Rated voltage .....	230V~
Rated frequency .....	50Hz
Rated input .....	500W
Revolutions per minute (no load) .....	12,000min <sup>-1</sup>
Disc Diameter .....	115mm
Spindle thread .....	M14
Bore .....	22.2mm
Vibration level .....	2.73m/s <sup>2</sup>
Sound pressure level .....	83dB(A)
Sound power level .....	94.dB(A)
Weight .....	1.8kg

### 4.3 HANDLING & STORAGE

The environment will have a negative result on its operation if you are not careful. If the air is damp, components will rust. If the machine is unprotected from dust and debris; components will become clogged: And if not cleaned and maintained correctly or regularly the machine will not perform at its best.

## 5. HEALTH & SAFETY INFORMATION

---

### 5.1 GENERAL SAFETY INSTRUCTIONS FOR POWER TOOL USE

When using any type of power tool there are steps that should be taken to make sure that you, as the user, remain safe.

Common sense and a respect for the tool will help reduce the risk of injury.

**Read the instruction manual fully.** Do not attempt any operation until you have read and understood this manual.

Most important you must know how to safely start and stop this machine, especially in an emergency.

**Keep the work area tidy and clean.** Attempting to clear clutter from around the machine during use will reduce your concentration. Mess on the floor creates a trip hazard. Any liquid spilt on the floor could result in you slipping.

**Find a suitable location.** If the machine is bench mounted; the location should provide good natural light or artificial lighting as a replacement. Avoid damp and dust locations as it will have a negative effect on the machine's performance.

If the machine is portable; do not expose the tool to rain. In all cases do not operate power tools near any flammable materials.

**Beware of electric shock.** Avoid contact with earthed surfaces; because they can conduct electricity if there is an electrical fault with the power tool. Always protect the power cable and route it away from danger.

**Keep bystanders away.** Children, onlookers and passers by must be restricted from entering the work area for their own protection. The barrier must extend a suitable distance from the tool user.

**Unplug and house all power tools that are not in use.** A power tool should never be left unattended while connected to the power supply. They must be housed in a suitable location, away locked up and from children.

**Do not overload or misuse the tool.** All tools are designed for a purpose and are limited to what they are capable of doing. Do not attempt to use a power tool (or adapt it in any way) for an application it is not designed for. Select a tool appropriate for the size of the job. Overloading a tool will result in tool failure and user injury: This covers the use of accessories.

**Dress properly.** Loose clothing, long hair and jewellery are all dangerous because they can become entangled in moving machinery: This can also result in parts of body being pulled into the machine.

Clothing should be close fitted, with any long hair tied back and jewellery and neck ties removed. Footwear must be fully enclosed and have a nonslip sole.

### 5.2 SPECIFIC SAFETY INSTRUCTIONS FOR GRINDER USE

Have this tool repaired by a qualified person. This tool is designed to conform to the relevant international and local standards and as such should be maintained and repaired by someone qualified; using only original parts supplied by the manufacturer: This will ensure the tool remains safe to use.

Check that speed marked on the wheel is equal to or greater than the rated speed of the grinder;

Ensure that the wheel dimensions are compatible with the grinder;

Abrasive wheels shall be stored and handled with care in accordance with manufacturer's instructions;

Inspect the grinding wheel before use, do not use chipped, cracked or otherwise defective products;

## 5. HEALTH & SAFETY INFORMATION

---

Ensure that mounted wheels and points are fitted in accordance with the manufacturer's instructions;

Ensure that blotters are used when they are provided with the bonded abrasive product and when they are required;

Ensure that the abrasive product is correctly mounted and tightened before use and run the tool at no-load for 30 seconds in a safe position, stop immediately if there is considerable vibration or if other defects are detected.

If this condition occurs, check the machine to determine the cause;

If a guard is supplied with the tool never use the tool without such a guard.

Do not use separate reducing bushings or adapters to adapt large hole abrasive wheels;

For tools intended to be fitted with threaded hole wheel, ensure that the thread in the wheel is long enough to accept the spindle length;

Check that the work piece is properly supported;

Do not use cutting wheel for side grinding;

Ensure that sparks resulting from use do not create a hazard e.g. do not hit persons, to ignite flammable substances;

Ensure that ventilation openings are kept clear when working in dusty conditions. If it should become necessary to clear dust, first disconnect the tool from the mains supply (use non metallic objects) and avoid damaging internal parts;

Always use eye and ear protection;

Personal protective equipment such as dust mask, gloves, helmet and apron should be worn;

The wheel continues to rotate after the tool is switched off.

Warning: Prior to mounting an abrasive wheel ensure the expiry date has not exceeded rendering it potentially hazardous.

1. Warning. When using electric tools, basic safety precautions, including the following should always be followed to reduce the risk of fire, electric shock and personal injury.
2. Use the right tool. Do not force small tools or attachments to do the job of a heavy duty tool. Do not use tools for purposes not intended; for example, do not use circular saws to cut tree limbs or logs.
3. Secure work. Use clamps of a vice to hold the work. It is safer than using your hands and it frees both hands to operate the tool.
4. Stay alert. Watch what you are doing. Use common sense. Do not operate tool when you are tired.
5. Wear proper clothing. Do not wear loose clothing, neckties or jewellery (ring, wristwatches etc.) to catch in moving parts. NONSLIP footwear is recommended. Wear protective covering to contain long hair. Roll long sleeves above the elbow.
6. Use safety goggles (Head protection). Wear goggles approved to the relevant standards at all times. Normal spectacles only have impact resistant lenses, they are NOT safety glasses. Also, use face or dust mask if application is dusty and ear protectors during all operations.
7. Sound levels. Some types of machines may have high sound levels when working. In such cases ear protection must be worn.
8. Vibration levels. Hand held power tools produce different vibration levels. You should always refer to the specifications and the relevant Health and Safety guidelines.
9. Dust extraction. If your tool is fitted with a dust extraction facility, always ensure that it is connected and being used with a dust extractor. Vacuum cleaners can be used if suitable for the material being extracted.

## 5. HEALTH & SAFETY INFORMATION

---

10. Check damaged parts. Before further use of the tool, a guard or other part that is damaged should be carefully checked to determine that it will operate properly and perform its intended function. Check for alignment of moving parts, free running of moving parts, breakage of parts, mounting and any other conditions that may affect its operation. A guard or other part that is damaged should be properly repaired or replaced by an authorised service centre unless otherwise indicated in this instruction manual. Have defective switches replaced by an authorised service centre. Do not use the tool if the switch does not turn it on and off.
11. Have your tool repaired by a qualified person. This electric tool is in accordance with the relevant safety requirements. Repairs should only be carried out by qualified persons using original spare parts, otherwise this may result in considerable danger to the user.

### **5.3 SAFETY RECOMMENDATIONS FOR THE CORRECT USE OF ABRASIVE PRODUCTS**

- a. General. Bonded abrasive products are breakable and shall therefore be handled with utmost care. The use of damaged or improperly mounted or used abrasive products is dangerous and can cause serious injuries.
- b. Delivery, handling and storage. Abrasive products shall be handled and transported with care. Abrasive products shall be stored in such a manner that they are not subjected to mechanical damaged and harmful environmental influences.
- c. Selection of the abrasive product. Information on the label or the abrasive product as well as restrictions of use, safety indications or any other instructions shall be followed. In case of doubt concerning the selection of abrasive products, the user shall request information from the manufacturer or supplier.
- d. Visual inspection and ring test. Abrasive products shall be subjected to a visual inspection as received before mounting. In addition, a ring test shall be executed for vitrified wheels with  $D > 80\text{mm}$ . Damaged abrasive products shall be destroyed.
- e. Mounting before starting and information for grinding. The mounting of abrasive products shall be carried out according to the instructions provided by both the wheel and the machine manufacturer. Mounting of abrasive products shall be carried out by a qualified trained person. Each time after mounting, the wheel shall be test run for a reasonable time - the specified maximum operating speed of the wheel shall not be exceeded.
- f. Further information. The following instructions shall be observed, supplementary to the information contained in the instruction for use of the grinding machine:  
Observance of the user's information from the grinding machine manufacturer.  
Safety devices shall be mounting to the machine and shall be secured.  
No grinding operations without protection by safety devices.  
Use of personal protective equipment according to the type of machine and type of application, e.g. eye and face protection, ear protection, respiratory protective devices, protective footwear, protective gloves and other protective clothing.  
Only grinding operations for which the abrasive product is suitable shall be carried out (taking into account restrictions of use, safety indications or other information).  
Jamming of the hand-held grinding machine shall be prevented. In the case of cutting-off with hand-held grinding machines, the abrasive product shall be placed in the cutting gap in a straight position.  
Before placing the hand-held grinding machine on the workbench or on the floor it shall be turned off and it shall be ensured that the abrasive product has stopped.



## 5. HEALTH & SAFETY INFORMATION

---

### 5.4 SAFETY RECOMMENDATIONS FOR THE CORRECT USE OF SUPERABRASIVES.

- a. General. Superabrasives are breakable and shall therefore be handled with utmost care! The use of damaged or improperly mounted or used superabrasives is dangerous and can cause serious injuries.
- b. Delivery, handling and storage. Superabrasives shall be handled and transported with care. Superabrasives shall be stored in such a manner that they are not subjected to mechanical damages and harmful environmental influences.
- c. Selection of superabrasives. Information on the label or the superabrasive as well as restrictions of use, safety indications or any other instruction shall be followed. In case of doubt concerning the selection of superabrasives, the user shall request information from the manufacturer or supplier.
- d. Visual inspection and ring test. Superabrasives shall be subjected to a visual inspection as received before mounting. In a addition, a ring test shall be executed for superabrasives with vitrified core and abrasive section and  $D > 80\text{mm}$ . Damaged superabrasives shall not be used.
- e. Mounting, before starting and information for grinding. The mounting of superabrasive shall be carried out according to the instructions provided by both, the superabrasive and the machine manufacturer. Special attention shall be drawn to the fact that mounting of superabrasives is to be carried out by a qualified trained person. Each time after mounting, the superabrasive shall be test run for a reasonable time - the specified maximum operating speed of the superabrasive shall not be exceeded.
- f. Further information. The following instructions shall be observed, supplementary to the information of the grinding machine:

Observance of the user's information of grinding machine manufacturer.

Before starting, safety devices shall be mounted to the machine.

No grinding operations without protection by safety devices.

Use of personal protective equipment according to the type of machine and type of application, e.g. eye and face protection, ear protection, respiratory protection devices, protective footwear, protective gloves and other protective clothing.

Only grinding operations for which the superabrasive is suitable shall be carried out (taking into account restrictions of use, safety indications or other information).

In the case of cutting-off with hand-held grinding machines, the superabrasive shall be placed in the cutting gap in a straight position. Jamming of the hand-held grinding machine shall be prevented.

Before placing the hand-held grinding machine on the workbench or on the floor it shall be turned off and it shall be ensured that the abrasive product has stopped.

## 5. HEALTH & SAFETY INFORMATION

---


### **5.5 CONNECTION TO THE POWER SUPPLY**

Make sure the power supply information on the machine's rating plate are compatible with the power supply you intend to connect it to.

This product comes supplied with a UK standard 3 pin plug fitted. It is designed for connection to a domestic power supply rated at 230V AC.

This grinder is fitted with a power failure protective device to prevent accidental starting. This appliance is Class II<sup>†</sup> and is designed for connection to a power supply matching that detailed on the rating label and compatible with the plug fitted.

If an extension lead is required, use an approved and compatible lead rated for this appliance. Follow all the instruction supplied with the extension lead.

<sup>†</sup>Double insulated : This product requires no earth connection as supplementary insulation is applied to the basic insulation to protect against electric shock in the event of failure of the basic insulation.

Apart from replacing the fuse in the plug, no other electrical work is recommended on this grinder.

## 6. TECHNICAL DESCRIPTION

---

### 6.1 IDENTIFICATION



- ① On/Off switch
- ② Rear hand grip
- ③ Plug & cable

- ④ Spindle lock button
- ⑤ Locking flange

NB: Cutting guard available separately (Stock No.52847)

## 7. UNPACKING & CHECKING

---

### 7.1 PACKAGING

Carefully remove the product from the packaging and examine it for any sign of damage that may have happened during shipping. Lay the contents out and check them against the parts shown below. If any part is damaged or missing; please contact the Draper Help Line (the telephone number appears on the Title page) and do not attempt to use the product.

The packaging material should be retained at least during the guarantee period: in case the machine needs to be returned for repair.

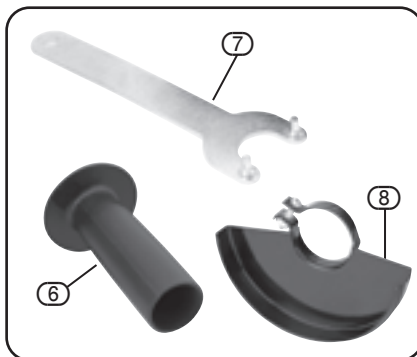
Warning! Some of the packaging materials used may be harmful to children. Do not leave any of these materials in the reach of children.

If any of the packaging is to be thrown away, make sure they are disposed of correctly; according to local regulations.

### 7.2 WHAT'S IN THE BOX?

As well as the grinder; there are several parts not fitted or attached to it.

- ⑥ 1x Auxiliary handle
- ⑦ 1x Pin spanner
- ⑧ 1x Guard



## 8. PREPARING THE GRINDER

### 8.1 FITTING AUXILIARY HANDLES - FIG. 1

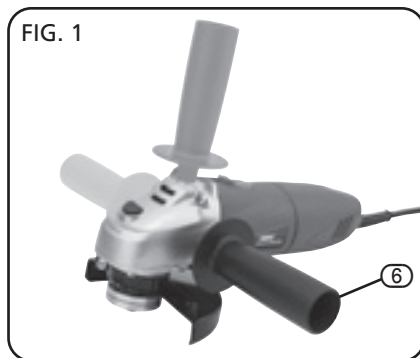
NOTE: Remove the plug from the socket before carrying out adjustment, servicing or maintenance.

For reasons of safety, when working with this type of electric power tool, the operator must always use the auxiliary handle (6).

Screw the handle clockwise, into one of the three threaded apertures best suited to the application and user comfort.

**WARNING:**

This machine must never be operated (cutting off/grinding processes) without the guard in place correctly and operating fully.

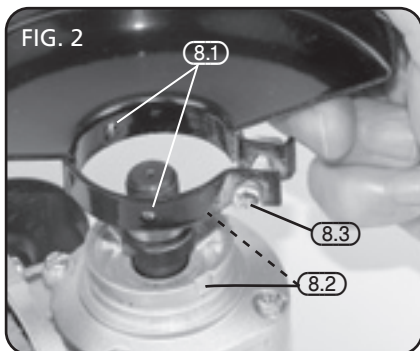


### 8.2 FITTING THE GUARD - FIG. 2

Locate one of the raised dimples (8.1) down through either of the two slots (8.2) to the groove around the neck. Rotate the guard around to the desired position. Tighten the machine screw (8.3) to lock the guard in position. Finally check the guard does not slip round.

WARNING: Never attempt to operate (cutting off/grinding processes) this machine without the guard securely fitted and correctly positioned\*.

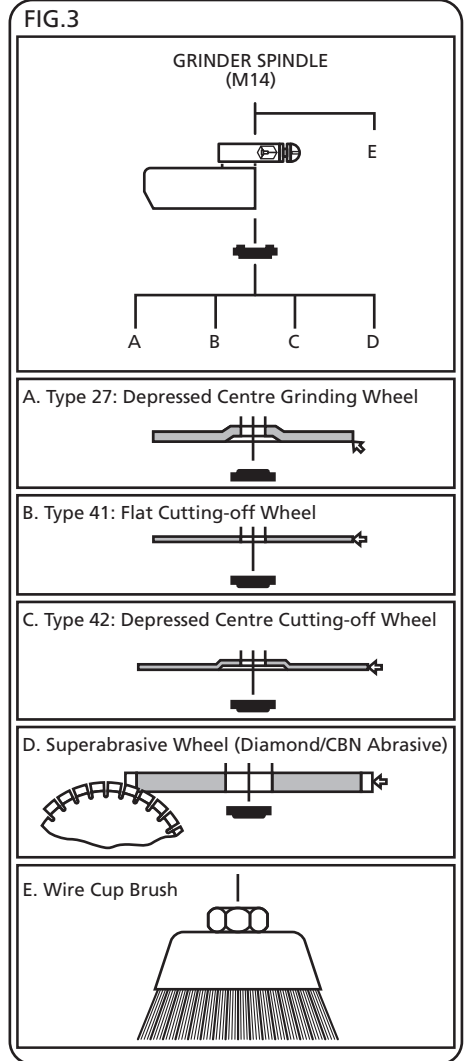
\* With the exception of wire cup brushes etc. which negate the guards effectiveness.



## 8. PREPARING THE GRINDER

### 8.3 FITTING/REPLACING ACCESSORIES (NOT SUPPLIED) - FIG. 3

- NOTE: Remove the plug from the socket before carrying out adjustment, servicing or maintenance.
- WARNING: Prior to mounting an abrasive wheel ensure the expiry date has not exceeded rendering it potentially hazardous.
- WARNING: Selection of the correct accessory, suitable for the intended application is vital. Seek guidance if uncertain of selection.
- WARNING: The rated (no load) revolutions per minute of the tool must not exceed the speed capacity of the accessory. Please refer to the accessory manufacturers instructions for information.
- VISUAL INSPECTION: Prior to fitting, abrasive/superabrasive wheels shall be subject to a visual inspection.
- INSPECTION: Each time after mounting, the abrasive/superabrasive wheel shall be test run for a reasonable time. The specified maximum operating speed of the wheel shall not be exceeded. Damaged abrasives shall be destroyed. Always wear approved safety goggles.



- B, C, D (FIG.3): For cutting applications, and to comply to current legislation, it is necessary to replace the "grinding" guard supplied with this machine with a "cutting" guard. The appropriate "cutting" guard is available from Draper Tools stock No.52847 and must be fitted for your safety.

## 9. SETTING THE GRINDER

### 9.1 FITTING BLADE OR ACCESSORIES - FIG. 4

Press and hold the spindle lock button (4). Loosen the locking flange (5) anti-clockwise using the pin spanner (7) supplied. The spindle may rotate slightly before the spindle lock fully engages. Remove the locking flange only. Clean the flanges and spindle prior to fitting any accessory. If the rear flange (5.1) is removed for cleaning, ensure it locates correctly on the spindle flats when refitting and does not spin freely. When fitting the appropriate accessory please refer to (Fig.3) for specific details on the locking flange correct orientation as applicable. Securely tighten the locking flange clockwise using the pin spanner while holding down the spindle lock (4).

**NOTE:** When using wire cup brushes the locking flange is not required due to the design of the brushes. When fitted check the accessory is correct and, importantly fully secure on the spindle.

**WARNING:** Never press the spindle lock button (4) while the spindle is in motion.

### 9.2 ON/OFF SWITCH - FIG. 5

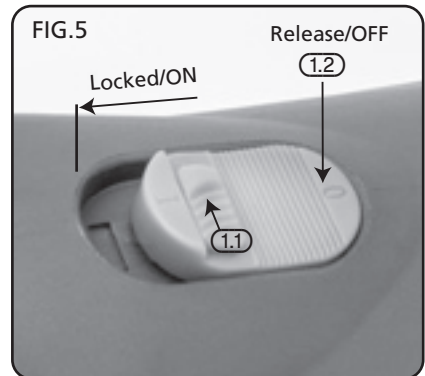
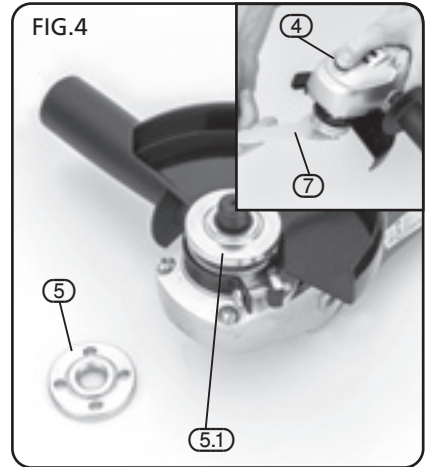
Push the slider (1.1) to the right, then forward to start the grinder, it locks in the 'ON' position. To stop the grinder, release the switch by pushing down on the back of the switch (1.2).

**NOTE:** To prevent accidental starting in a situation of power failure to the grinder, the 'ON/OFF' switch (1) is fitted with a protective device that prevents the angle grinder from starting up automatically when the power is re-established. In this case, and with the power re-established, release the switch to the 'OFF' position, then switch to 'ON' as normal.

**WARNING:** Do not set the machine down until the spindle has completely stopped.

**NOTE:** During use, keep clothing out of the line of any sparks formed. Sparks from metal grinding can set fire to many types of clothing after a short time. The risk is less if your outer clothing is made of wool, or flame retardant treated cotton.

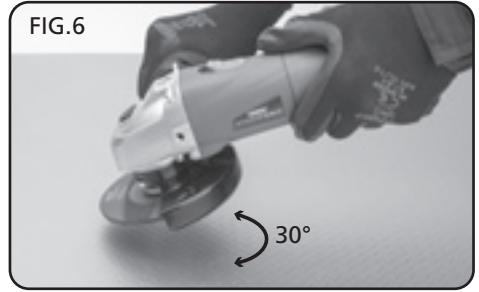
**DUST:** A correctly fitted dust mask, suitable for the activity and in accordance to the relevant standard, must be worn.



## 9. SETTING THE GRINDER

### 9.3 GRINDING - FIG. 6

When performing grinding operations maintain an angle of approximately 30° between the work surface and the disc face. Only use abrasives specifically designed for this task.



### 9.4 CUTTING - FIG. 7



Cutting operations should only be attempted with the "cutting" guard fitted to this grinder. Please contact Draper Tools for further information on how to purchase this optional accessory stock No.52847.

This guard must be fitted for your safety. When performing cutting-off operations do not incline the machine as this can lead to the abrasive wheel becoming jammed, damaged or excessively and abnormally worn. Only use abrasives specifically designed for this task.

**WARNING:** As the cutting-off/grinding wheel wears during use, its diameter reduces. This reduces the peripheral speed and the cutting efficiency. This results in increased load on the grinding machine which if continued will damage the motor. Ensure that the diameter of the wheel is within 25% of its original size.

**IMPORTANT:** Excessive pressure on the machine does not result in a higher abrasive efficiency. Excessive pressure increases wear and tear on the accessory and will damage the grinder which is not covered under the guarantee.





## 10. OPTIONAL ACCESSORIES

---

### **10.1 OPTIONAL ACCESSORIES**

Title.	Stock No.
Cutting Guard	52847

See your Draper Stockist for consumables (eg. discs, brushes and wheels etc.)

# 11. TROUBLESHOOTING

---

## 11.1 TROUBLESHOOTING

**WARNING:** For your own safety, turn the switch off and remove the plug from the power supply socket.

PROBLEM	POSSIBLE CAUSE	REQUIRED ACTION
<ul style="list-style-type: none"><li>• Motor does not start.</li></ul>	<ul style="list-style-type: none"><li>• Fuse.</li><li>• Brushes worn.</li><li>• Other.</li></ul>	<ul style="list-style-type: none"><li>• 5 amp time delay fuse or circuit breaker.</li><li>• Have brushes replaced.</li><li>• Authorised service agent.</li></ul>
<ul style="list-style-type: none"><li>• Machine vibrates.</li></ul>	<ul style="list-style-type: none"><li>• Wheel damaged or out of balance.</li><li>• Wheel loose.</li></ul>	<ul style="list-style-type: none"><li>• Replace wheel.</li><li>• Stop machine immediately, when stopped refit accessory.</li></ul>
<ul style="list-style-type: none"><li>• Wheel will not cut/grind.</li></ul>	<ul style="list-style-type: none"><li>• Incorrect wheel fitted.</li></ul>	<ul style="list-style-type: none"><li>• Fit correct disc for material/application.</li></ul>

**IMPORTANT:** Please note all repairs/service should be carried out by a qualified person.

# 12. MAINTENANCE

---

## ***12.1 MAINTENANCE & PARTS REPLACEMENT***

Regular inspection and cleaning reduces the necessity for maintenance operations and will keep your tool in good working condition.

The motor must be correctly ventilated during tool operation. For this reason avoid blocking the air inlets. After use disconnect the tool from the power supply and vacuum the ventilation slots.

If the replacement of the supply cord is necessary, this has to be done by the manufacturer or his agent in order to avoid a safety hazard.

# 13. EXPLANATION OF SYMBOLS

---

## 13.1 EXPLANATION OF SYMBOLS



Warning!  
Wear dust mask.



Warning!  
Read the instruction manual



Warning!  
Wear suitable eye/face  
protection.



Warning!  
Wear ear defenders.



WEEE  
Do not dispose of Waste Electrical  
& Electronic Equipment in with  
domestic rubbish



Class II construction  
(Double insulated).

# 14. DISPOSAL

---

## 14.1 DISPOSAL

- At the end of the machine's working life, or when it can no longer be repaired, ensure that it is disposed of according to national regulations.
- Contact your local authority for details of collection schemes in your area.

In all circumstances:

- Do not dispose of power tools with domestic waste.
- Do not incinerate.
- Do not abandon in the environment.
- Do not dispose of WEEE\* as unsorted municipal waste.



\* Waste Electrical & Electronic Equipment.





- **DRAPER TOOLS LIMITED,**  
Hursley Road, Chandler's Ford,  
Eastleigh, Hampshire. SO53 1YF. U.K.
- **Help Line:** (023) 8049 4344
- **Sales Desk:** (023) 8049 4333
- **General Enquiries:** (023) 8026 6355
- **Service/Warranty Repair Agent**  
For aftersales servicing or warranty repairs, please  
contact the Draper Tools Help Line for details of an  
agent in your local area.

YOUR DRAPER STOCKIST

RDCH0816

