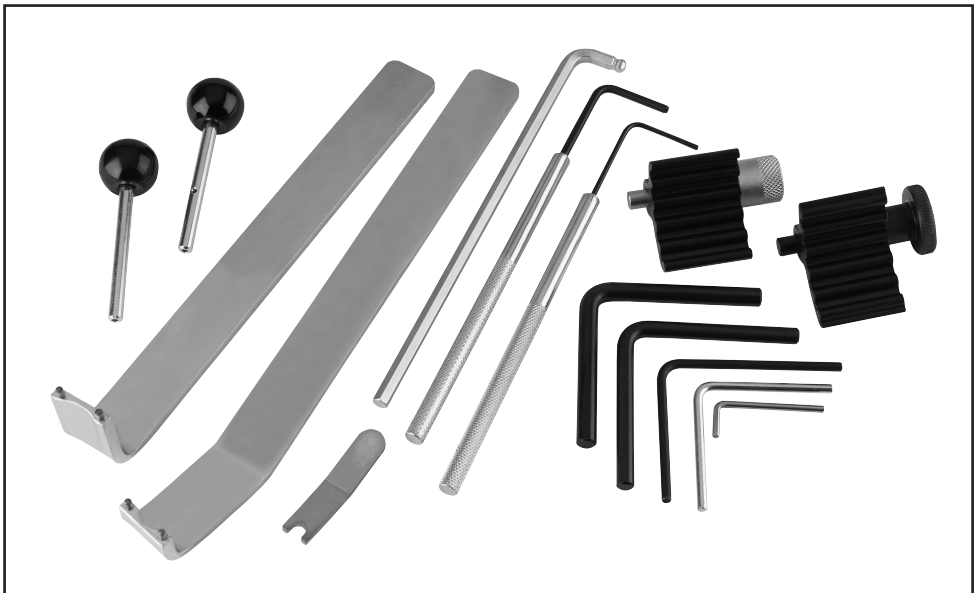




APPLICATION GUIDE FOR: ENGINE **TIMING KIT**

19099



This document is part of the product, keep it for the life of the product passing it on to any subsequent holder of the product. Read all information before operating product.

This guide has been compiled by Draper Tools describing the purpose for which the product has been designed, and contains necessary information to ensure its correct and safe use. By following the information contained in this guide, it will ensure both product and operator safety, together with longer life of the product itself.

All photographs and drawings in this guide are supplied by Draper Tools to help illustrate the operation of the product.

Whilst every effort has been made to ensure the accuracy of information contained in this guide, the Draper Tools policy of continuous improvement determines the right to make modifications without prior warning.

1. TITLE PAGE

1.1 INTRODUCTION:

USER GUIDE FOR: Engine Timing Kit

Stock No: 19099

Part No: ETK230

1.2 REVISIONS:

Date first published June 2018.

As our user manuals are continually updated, users should make sure that they use the very latest version.

Downloads are available from: <http://drapertools.com>

Draper Tools Limited

Hursley Road

Chandler's Ford

Eastleigh

Hampshire

SO53 1YF

UK

Website: drapertools.com

Product Helpline: +44 (0) 23 8049 4344

General Fax: +44 (0) 23 8026 0784

1.3 UNDERSTANDING THIS GUIDES SAFETY CONTENT:

WARNING! – Information that draws attention to the risk of injury or death.

CAUTION! – Information that draws attention to the risk of damage to the product or surroundings.

1.4 COPYRIGHT © NOTICE:

Copyright © Draper Tools Limited.

Permission is granted to reproduce this publication for personal and educational use only. Commercial copying, redistribution, hiring or lending is prohibited.

No part of this publication may be stored in a retrieval system or transmitted in any other form or means without written permission from Draper Tools Limited.

In all cases this copyright notice must remain intact.

2. CONTENTS

1. TITLE PAGE	
1.1 INTRODUCTION	2
1.2 REVISION HISTORY	2
1.3 UNDERSTANDING THIS GUIDE.....	2
1.4 COPYRIGHT NOTICE	2
2. CONTENTS	
2.1 CONTENTS	3
3. GUARANTEE	
3.1 GUARANTEE	4
4. GENERAL PRODUCT INFORMATION	
4.1 GENERAL PRODUCT INFORMATION	5
5. HEALTH AND SAFETY INFORMATION	
5.1 GENERAL SAFETY INSTRUCTIONS FOR USE	
Personal safety	6
6. CONTENTS	
6.1 PARTS DRAWING AND LISTING	7
7. APPLICATION	
7.1 PRODUCT APPLICATION AND COMPATIBILITY LISTING	8
8. PREPARATION	
8.1 ADVISORIES BEFORE USE	9
9. PROCEDURE AND APPLICATION GUIDE	
9.1 APPLICATION GUIDANCE	10-12
10. EXPLANATION OF SYMBOLS	
10.1 EXPLANATION OF SYMBOLS	13

3. GUARANTEE

3.1 GUARANTEE

Draper tools have been carefully tested and inspected before shipment and are guaranteed to be free from defective materials and workmanship.

Should the tool develop a fault, please return the complete tool to your nearest distributor or contact:

Draper Tools Limited, Chandler's Ford, Eastleigh, Hampshire, SO53 1YF. England.

Telephone Sales Desk: (023) 8049 4333 or:

Product Helpline (023) 8049 4344.

A proof of purchase must be provided.

If upon inspection it is found that the fault occurring is due to defective materials or workmanship, repairs will be carried out free of charge. This guarantee period covering parts/labour is 12 months from the date of purchase except where tools are hired out when the guarantee period is 90 days from the date of purchase. This guarantee does not apply to normal wear and tear, nor does it cover any damage caused by misuse, careless or unsafe handling, alterations, accidents, or repairs attempted or made by any personnel other than the authorised Draper warranty repair agent.

Note: If the tool is found not to be within the terms of warranty, repairs and carriage charges will be quoted and made accordingly.

This guarantee applies in lieu of any other guarantee expressed or implied and variations of its terms are not authorised.

Your Draper guarantee is not effective unless you can produce upon request a dated receipt or invoice to verify your proof of purchase within the guarantee period.

Please note that this guarantee is an additional benefit and does not affect your statutory rights.

Draper Tools Limited.

4. GENERAL PRODUCT INFORMATION

This product is designed to be used correctly and with care for the purpose for which it is intended. No liability is accepted by Draper Tools Limited for incorrect use or application of any of our products, and Draper Tools Limited cannot be held responsible for any damage to personnel, property or equipment when using this product. Incorrect use will also invalidate any warranty.

The applications database and any instructional information provided has been designed to offer general guidance for a particular product's use and while all attention is given to the accuracy of the data, no project should be attempted without referring first to the manufacturer's technical documentation (workshop or instruction manual) or the use of a recognised authority such as Autodata.

It is our policy to continually improve our products and thus we reserve the right to alter specifications and components without prior notice. It is the responsibility of the user to ensure the suitability of the product and information prior to use.

5. HEALTH AND SAFETY INFORMATION

GENERAL SAFETY INSTRUCTIONS

Warning: Please read all safety warnings and all details carefully. Failure to follow the warnings may result in serious injury or major component damage.

Important: Draper Tools recommends that this product should not be modified or used for any application other than that for which it was designed.

Save all warnings and instructions for future reference.

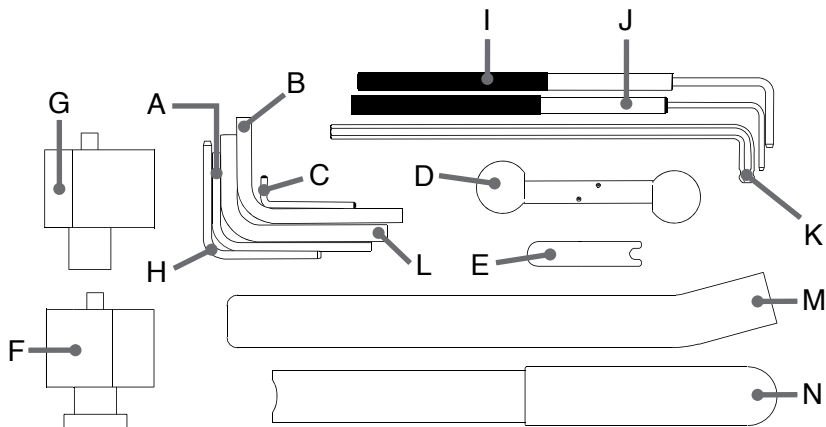
1) Personal safety

- a) Stay alert, watch what you are doing and use common sense when using this product. Do not use this product while you are tired or under the influence of drugs, alcohol or any medication. A moment of inattention while using this product may result in serious personal injury.
- b) Use personal protective equipment as necessary.
- c) Check and remove any part of the product before turning/testing the engine. A part left attached to a rotating part of the engine may result in personal injury or major component damage.
- d) Carefully clean the tool components after every use.
- f) Keep the tool components safe and tidy.
- g) Do not use this product for any purpose other than for which it is designed.

Warning! Some of the packaging materials used may be harmful to children. Do not leave any of these materials in the reach of children.

If any of the packaging is to be thrown away, make sure it is disposed of correctly; according to local regulations.

6. CONTENTS



ITEM	DESCRIPTION	OEM	STOCK No.
A	4mm Tensioner Pin	E10347 04	35530
B	7mm Tensioner Pin	E10347 07	35531
C	Locking Pin	T10115	35532
D	Injection Pump/Camshaft Timing Pin	T20102 3359	35533
E	Tensioning Tool	T1008	35535
F	Crankshaft Locking Tool	T10050	35537
G	Crankshaft Locking Tool	T10100	35538
H	Tensioner Pin	T10060	35539
I	Tensioner Pulley Locking Pin	T40098	35540
J	Tensioner Pulley Locking Pin	T10265	35542
K	6mm Ball End Hex Key	T10264	35543
L	8mm Tensioner Pin	E10347 08	35544
M	Tensioner Lever	T10020/ V.159	35546
N	Tensioner Lever	T10020/ 2287	35547

7. APPLICATION

The **19099** has been developed as an **engine timing kit** for the vehicles listed below. Enables the user to lock engines in the 'timed' position to safely remove and replace the camshaft drive elements.

Used on the following Vehicles:

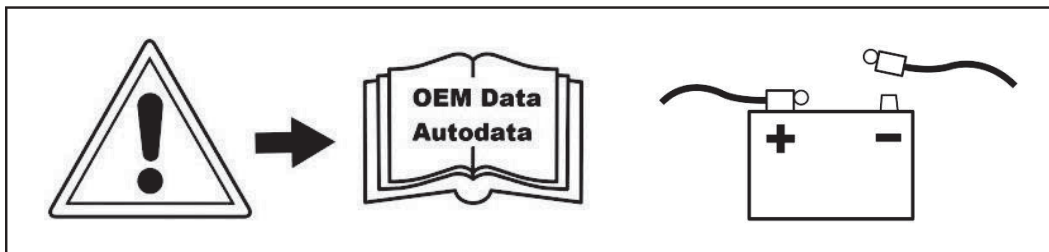
Audi A1/A1 Sportback 2010 - 2015	Audi A5 Coupe 2009 - 2012
Audi A2 2000 - 2006	Audi A5 Sportback 2009 - 2012
Audi A3 Cabrio 2008 - 2013	Audi A6 1998 - 2011
Audi A3/A3 Sportback 2001 - 2010	Audi A6 quattro 2001 - 2005
Audi A4 1999 - 2012	Audi Q5 2008 - 2010
Audi A4 allroad 2009 - 2012	Audi TT 2008 - 2010
Audi A4 Cabrio 2005 - 2009	Seat Alhambra 1999 - 2010
Audi A4 quattro 1999 - 2012	Seat Altea/Altea XL 2004 - 2015
Audi A5 Cabriolet 2008 - 2012	Seat Arosa 1999 - 2005
Volkswagen Touran 2003 - 2015 Blue TDI CR	Seat Cordoba 2002 - 2009
Volkswagen Beetle 2000 - 2015 TDI PD BlueMotion	Seat Exeo 2009 - 2012
Volkswagen Bora 1998 - 2005 TDI CR FR/Sport	Seat Ibiza 2002 - 2015
Volkswagen Caddy 2003 - 2010 TDI PD FR	Seat Leon 2000 - 2013
Volkswagen Eos 2006 - 2010 TDI PD vRS	Seat Toledo 2000 - 2009
Volkswagen Eos 2008 - 2010	Seat Toledo 2003 - 2015
Volkswagen Fox 2005 - 2011 TDI PD Ecomotive	Skoda Fabia/II 2000 - 2015
Volkswagen Golf IV 1998 - 2006 TDI CR	Skoda Octavia II 2004 - 2013
Volkswagen Golf IV Estate 1999 - 2006 Ecomotive	Skoda Octavia/Octavia -ur 2000 - 2010
Volkswagen Golf Plus 2005 - 2014 TDIe PD	Skoda Praktik 2007 - 2015
Volkswagen Golf V 2003 - 2008 Freetrack	Skoda Rapid 2012 - 2015
Volkswagen Golf V Estate 2007 - 2009 CR FR	Skoda Rapid Spaceback 2013 - 2015
Volkswagen Golf VI 2008 - 2013 GreenLine	Skoda Roomster 2006 OT 2015
Volkswagen Golf VI Cabrio 2011 - 2015 GreenLine II	Skoda Superb/II 2002 - 2015
Volkswagen Golf VI Estate 2009 - 2013 BlueMotion	Skoda Yeti 2009 - 2010
Volkswagen Jetta 2005 - 2015 TDIe CR	Skoda Yeti Outdoor 2013 - 2015
Volkswagen Lupo 1999 - 2005 TDI PD	
Volkswagen Passat 1998 - 2015 SDI	
Volkswagen Passat CC 2008 - 2012 vRS TDI PD	
Volkswagen Polo 1999 - 2014 TDI PD GreenLine	
Volkswagen Scirocco 2008 - 2011	
Volkswagen Sharan 1999 - 2010 vRS TDI CR	
Volkswagen Tiguan 2007 - 2011 GTD CR	
Volkswagen Transporter T5 2003 - 2010	

Engine Codes:

1.2cc
ANY, AYZ
1.4cc
AMF, ATL, BAY, BHC, BMS, BNM, BNV, BWB
1.6cc
CAYB, CAYC, CAYA
1.9cc
AJM, ANU, ARL, ASZ, ATD, ATJ, AUY, AVB, AVF, AVQ, AWX, AXR, AXB, AXC, BJB, BKC, BKE, BLS, BLT, BMT, BPX, BRU, BRM, BRR, BRS, BRB, BSW, BSV, BSU, BTB, BUK, BVK, BXE, BXF
2.0cc
AZV, BKD, BDJ, BDK, BGW, BHW, BKP, BLB, BMM, BMN, BMP, BMA, BMR, BNA, BPW, BRC, BRT, BRE, BRF, BSS, BUY, BUZ, BVE, BVA, BVF, BVG, BWV
2.0cc CR
CAGA, CAGC, CAGB, CAHA, CAHB, CBAB, CBAA, CBAC, CBBB, CBBA, CBDB, CBDC, CEGA

8. PREPARATION

The following is for guidance only. Please refer to OEM derived data such as the vehicle manufacturer's own data or Autodata. The use of this product is purely down to the user's discretion and Draper Tools Limited cannot be held responsible for any damage caused what so ever.

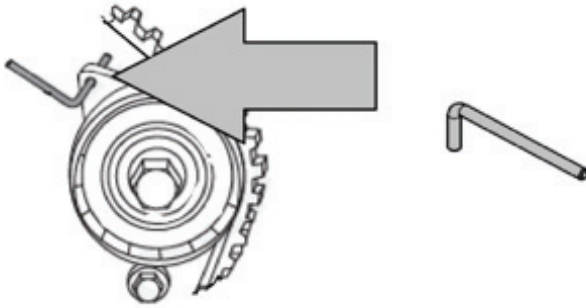


9. PROCEDURE AND APPLICATION GUIDE

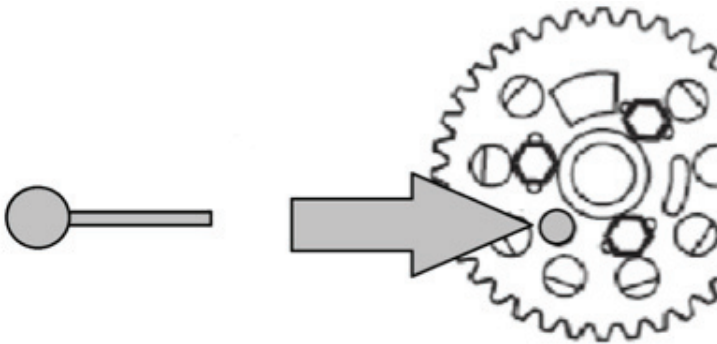
Depending on manufacture and model, some engine components do change. Please check with Autodata or the manufacturer's data before use.

Component 1, 2, 8, 12 = Tensioner pins.

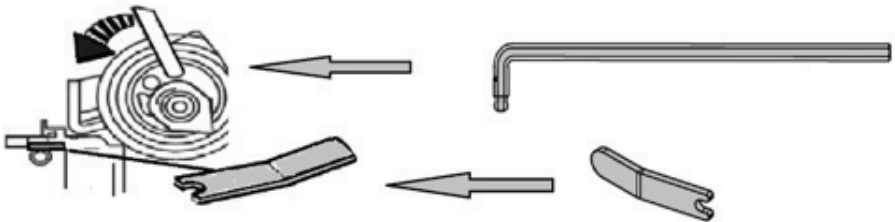
1, 2 and 12 are used to lock belt and chain tensioners according to the size of the hole in the tensioner.



Component 4 = Injection Pump/Cam Shaft Timing Pin



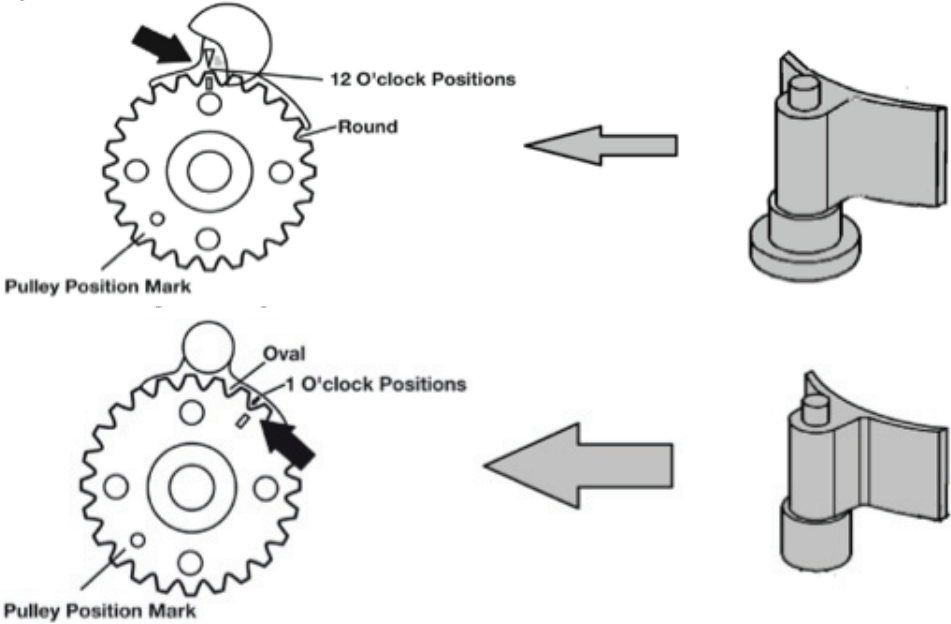
Component 5 = Tensioning Tool



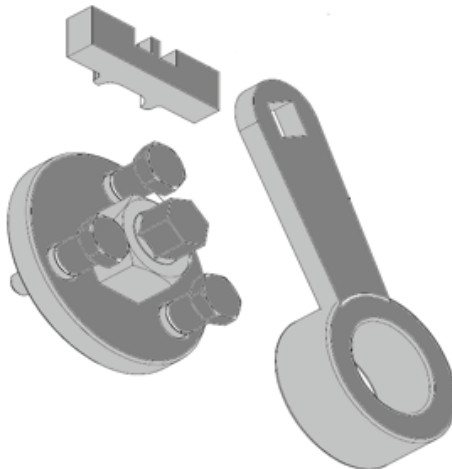
9. PROCEDURE AND APPLICATION GUIDE

Component 6 & 7 = Crankshaft Locking Tool

Components 6 and 7 are crankshaft locking tools. Both tools are fitted by sliding from the front of the crankshaft pulley to slide into engagement with the teeth on the pulley. Only one tool will fit, to identify which tool is required check the position of the marks on the pulley as shown.

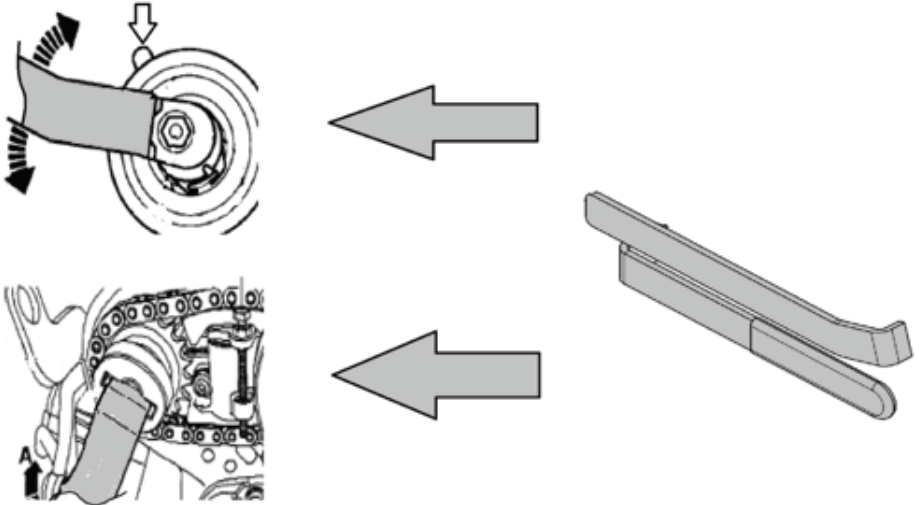


Camshaft Sprocket Puller and Balance Shaft Tool K00508 Support tool

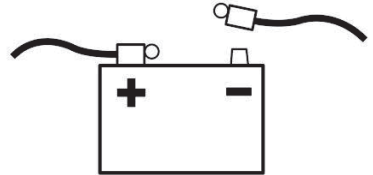


9. PROCEDURE AND APPLICATION GUIDE

Component 13 &14 = Tensioner Lever



Please note images are for guidance only and subject to change.



10. EXPLANATION OF SYMBOLS

10.1 EXPLANATION OF SYMBOLS



Read the guide.



Refer to website.

CONTACTS

Draper Tools Limited, Hursley Road,
Chandler's Ford, Eastleigh, Hampshire. SO53 1YF. U.K.

Helpline: (023) 8049 4344

Sales Desk: (023) 8049 4333

Internet: drapertools.com

E-mail: sales@drapertools.com

General Enquiries: (023) 8026 6355

Service/Warranty Repair Agent:

For aftersales servicing or warranty repairs, please contact the
Draper Tools Helpline for details of an agent in your local area.

YOUR DRAPER STOCKIST

CMDB0618

©Published by Draper Tools Limited.

No part of this publication may be reproduced, stored in a retrieval system or transmitted in any form or by any means, electronic, mechanical photocopying, recording or otherwise without prior permission in writing from Draper Tools Ltd.