



# TIPPER CART

52628 - GTC/HD ASSEMBLY INSTRUCTIONS

**Warning:** Please read these assembly instructions fully BEFORE attempting to assemble this cart. This cart is not a toy. Do not allow children to play with this cart at any time.

## 1. TECHNICAL DESCRIPTION

### 1.1 IDENTIFICATION

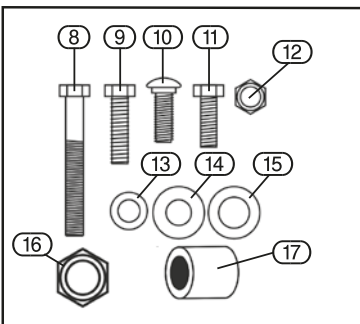
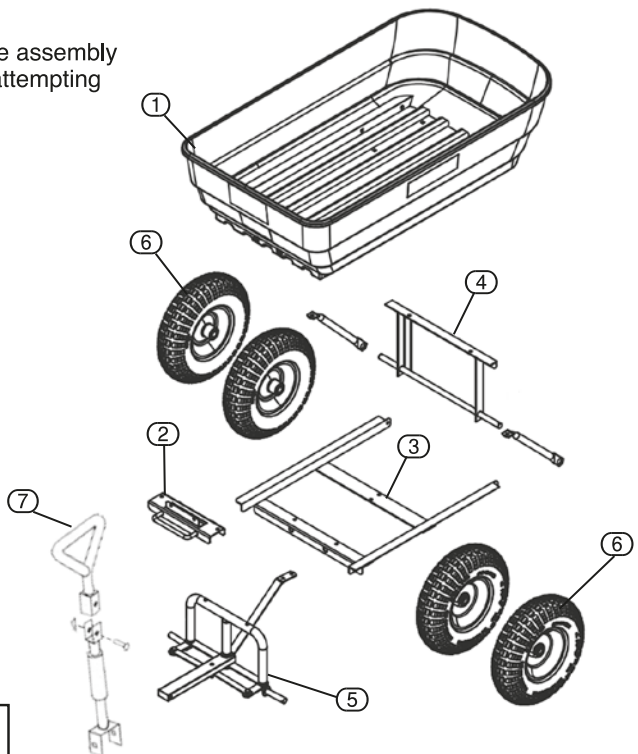
**!** CAUTION: Please read these assembly instructions fully BEFORE attempting to assemble this cart.

Failure to comply with these instructions may result in injury.

This cart is not a toy. Do not allow children to play with this cart at any time.

Save these instructions for further reference.

- ① Tray.
- ② Lock assembly.
- ③ Frame.
- ④ Rear axle assembly.
- ⑤ Front axle assembly.
- ⑥ Wheels (13-inch).
- ⑦ Handle.



- |                           |                   |
|---------------------------|-------------------|
| ⑧ M8x60 Hex head bolt x1  | ⑬ M8 Washer x15   |
| ⑨ M8x40 Flat head bolt x2 | ⑭ M11 Washer x10  |
| ⑩ M8x20 carriage bolt x10 | ⑮ M12 Washer x4   |
| ⑪ M8x20 Hex head bolt x2  | ⑯ M12 Lock nut x4 |
| ⑫ M8 Lock nut x15         | ⑰ Wheel spacer x4 |

## 2. SAFETY INSTRUCTIONS

---

1. READ ALL INSTRUCTIONS CAREFULLY BEFORE USE.
2. Do not load the tipper cart with more than 450kg. Do not use the tipping feature of the tipper cart with more than 225kg.
3. Do not allow children to use the tipper cart, it is not a toy.
4. Always distribute payload evenly over the surface of the bed.
5. Do not load any items on the top edges of the hopper.
6. If any parts become damaged, broken, or misplaced, do not use until replacement parts can be obtained.
7. Do not operate or use on objects that can cause damage to the pneumatic tyres or tubes. Do not inflate tyres to more than 30psi (2.1bar).
8. SAVE THESE INSTRUCTIONS!

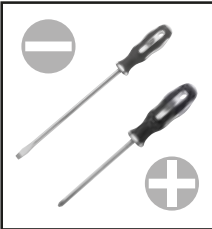
## 3 . ASSEMBLING THE CART

---

### 3.1 PREPARATION

As your tipper cart requires assembly, first check off the included parts and fittings against the listings on page 1 – 'Identification' section.

Tools required for assembly include:



Large plain slotted screwdriver and cross slot screwdriver.

AND



1 x 19mm spanner.  
2 x 13mm spanners.

OR



Adjustable wrenches.

OR



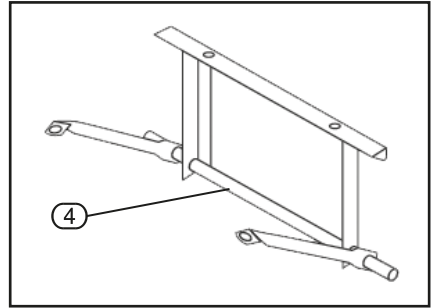
Socket and bit set.

\*Tools below are sold separately and shown for visual guidance only.

# 3. ASSEMBLING THE CART

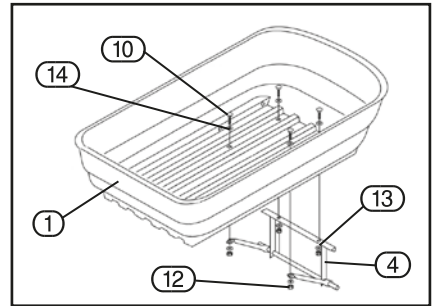
## 3.2 STEP 1

Locate the rear axle assembly (4), the left and right rear struts are pre-assembled to the rear of the axle as shown in Fig.2



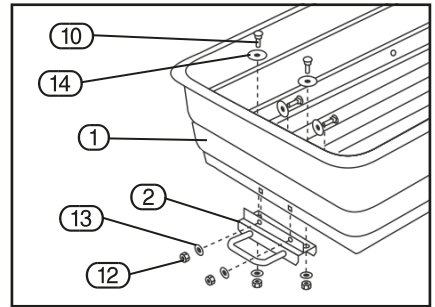
## 3.3 STEP 2

Attach the rear axle assembly (4) to the tray (1) using M8x20 carriage bolts (10) (x4), M11 washers (14) (x4), M8 washers (13) (x4) and M8 lock nuts (12) (x4).



## 3.4 STEP 3

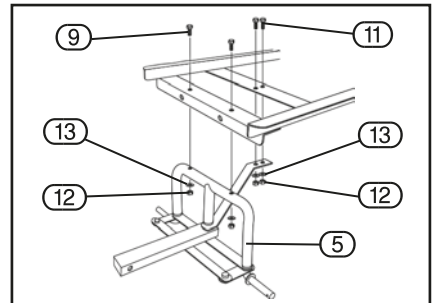
Attach the lock assembly (2) to the tray (1) using M8x20 carriage bolts (x4) (10), M11 washers (x4) (14), M8 washers (x4) (13) and M8 lock nuts (x4) (12).



## 3.5 STEP 4

Attach the front axle assembly (5) to the frame using M8x40 flat head bolts (x2) (9), M8 lock nuts (x2) (12) and M8 washers (x2) (13).

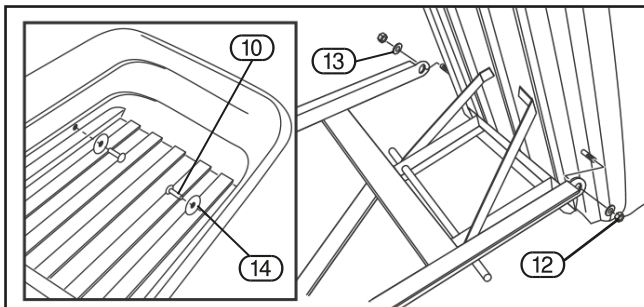
Attach the front axle support arm to the frame using M8x20 hex. head bolts (x2) (11), M8 lock nuts (x2) (12) and M8 washers (x2) (13).



### 3. ASSEMBLING THE CART

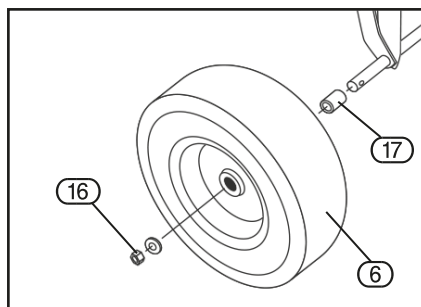
#### 3.6 STEP 5

Attach the frame to the tray using M8x20 carriage bolts (x2) (10), M11 washers (x2) (14), M8 washers (x2) (13) and M8 lock nuts (12).



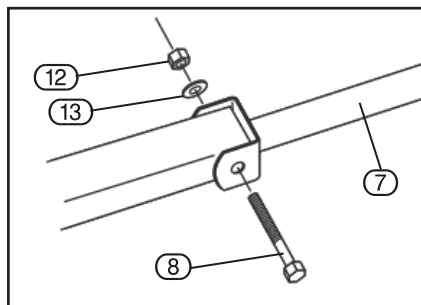
#### 3.7 STEP 6

Attach the wheels (x4) (6) by first placing the wheel spacers (x4) (17) onto each axle, then placing the wheel onto the axle and finally the wheel washers (x4) and attach the M12 lock nuts (x4) (16).



#### 3.8 STEP 7

Attach the handle (7) to the yoke using M8x60 hex bolt (x1) (8), M8 lock nut (x1) (12) and M8 washer (x1) (13).

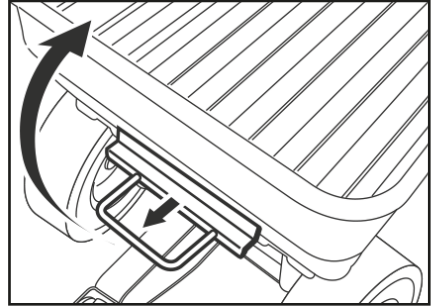


## 4. CART INSTRUCTIONS

---

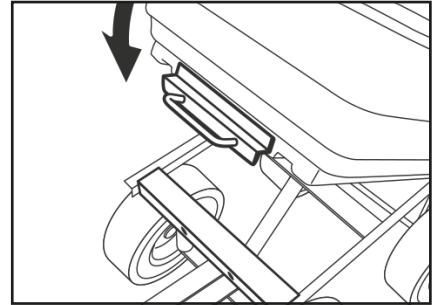
### 4.1 USING THE TIPPING FEATURE

To operate the tipping feature, pull the tipping release handle outwards to release the tray from its locking mechanism. Lift up the release handle to rotate the cart upward into the tipping position.



### 4.2 RETURNING THE TRAY TO ITS LOWERED POSITION

Rotate the tray back down to the lowered position. Ensure that the tipping release handle is locked into place when the cart is in the lowered position.



**CAUTION:** DO NOT EXCEED MAXIMUM OVERALL LOAD CAPACITY: 450kg.  
MAXIMUM TIPPING LOAD CAPACITY: 225kg.





## CONTACTS

Draper Tools Limited, Hursley Road,  
Chandler's Ford, Eastleigh, Hampshire. SO53 1YF. U.K.

Helpline: (023) 8049 4344

Sales Desk: (023) 8049 4333

Internet: [drapertools.com](http://drapertools.com)

E-mail: [sales@drapertools.com](mailto:sales@drapertools.com)

General Enquiries: (023) 8026 6355

Service/Warranty Repair Agent:

For aftersales servicing or warranty repairs, please contact the  
Draper Tools Helpline for details of an agent in your local area.

YOUR DRAPER STOCKIST

SRKC0819

©Published by Draper Tools Limited.

No part of this publication may be reproduced, stored in a retrieval system or transmitted in any form or by any means, electronic, mechanical photocopying, recording or otherwise without prior permission in writing from Draper Tools Ltd.