



# TIPPER CART

## 58553 - GTC ASSEMBLY INSTRUCTIONS

**Warning:** Please read these assembly instructions fully BEFORE attempting to assemble this cart. This cart is not a toy. Do not allow children to play with this cart at any time.

## 1. TECHNICAL DESCRIPTION

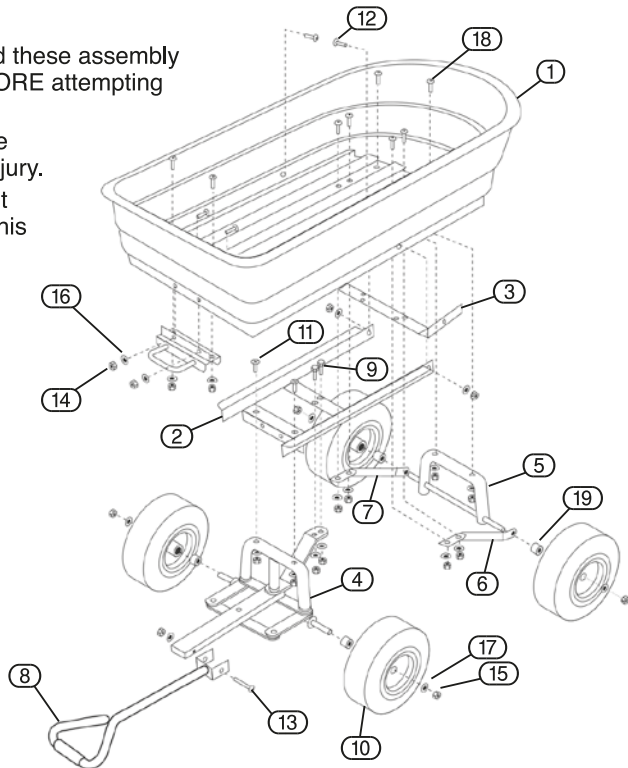
### 1.1 IDENTIFICATION

**⚠ CAUTION:** Please read these assembly instructions fully BEFORE attempting to assemble this cart.

Failure to comply with these instructions may result in injury.

This cart is not a toy. Do not allow children to play with this cart at any time.

Save these instructions for further reference.



- |                           |                            |                            |
|---------------------------|----------------------------|----------------------------|
| ① Hopper.                 | ⑧ Handle.                  | ⑮ Lock nut M12.            |
| ② Front frame.            | ⑨ Hex. head bolt M8 x 20.  | ⑯ Wide wing washer ID 8mm. |
| ③ Rear frame.             | ⑩ Wheel.                   | ⑰ Washer ID 12mm.          |
| ④ Front bracket assembly. | ⑪ Bolt M8 x 40.            | ⑱ Round head bolt M8 x 45. |
| ⑤ Rear bracket.           | ⑫ Round head bolt M8 x 20. | ⑲ Spacer.                  |
| ⑥ Left rear brace.        | ⑬ Hex.head bolt M8 x 60.   |                            |
| ⑦ Right rear brace.       | ⑭ Lock nut M8.             |                            |

## 2. SAFETY INSTRUCTIONS

---

1. READ ALL INSTRUCTIONS CAREFULLY BEFORE USE.
2. Do not load the tipper cart with more than 200kg. Do not use the tipping feature of the tipper cart with more than 200kg.
3. Do not allow children to use the tipper cart, it is not a toy.
4. Always distribute payload evenly over the surface of the bed.
5. Do not load any items on the top edges of the hopper.
6. If any parts become damaged, broken, or misplaced, do not use until replacement parts can be obtained.
7. Do not operate or use on objects that can cause damage to the pneumatic tyres or tubes. Do not inflate tyres to more than 30psi (2.1bar).
8. SAVE THESE INSTRUCTIONS!

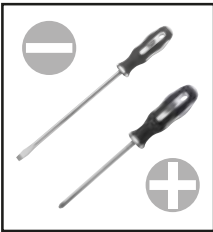
## 3 . ASSEMBLING THE CART

---

### 3.1 PREPARATION

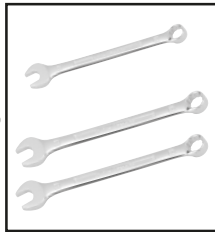
As your tipper cart requires assembly, first check off the included parts and fittings against the listings on page 1 – ‘Identification’ section.

Tools required for assembly include:



Large plain slotted screwdriver and cross slot screwdriver.

AND



1 x 19mm spanner.  
2 x 13mm spanners.

OR



Adjustable wrenches.

OR



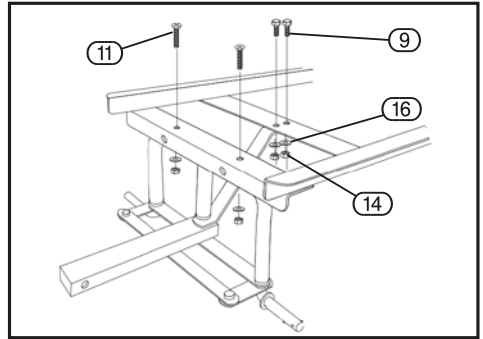
Socket and bit set.

\*Tools below are sold separately and shown for visual guidance only.

# 3. ASSEMBLING THE CART

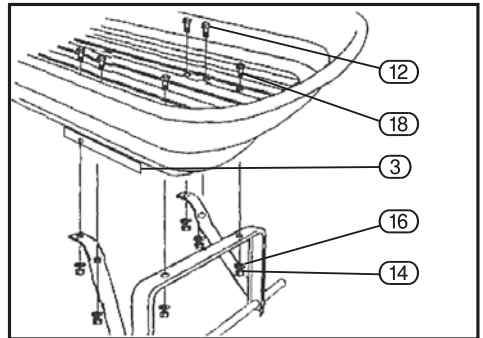
## 3.2 STEP 1

Assemble the front bracket to front frame using M8 x 20 bolts (9) and M8 x 40 bolts (11), M8 lock nuts (14) and washers (16).



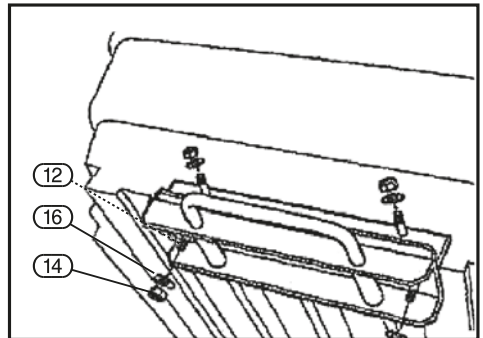
## 3.3 STEP 2

Assemble rear bracket to rear frame (3) and hopper, using round head M8 x 20 bolts (12) and round head M8 x 45mm (18), M8 lock nuts (14), ID 8mm wide wing washers (16).



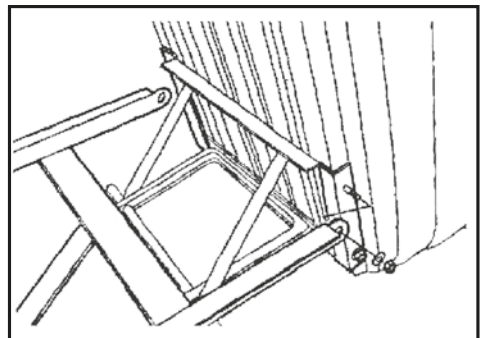
## 3.4 STEP 3

Assemble lock to hopper using round head M8 x 20 bolts (12), M8 lock nuts (14), ID 8mm wide wing washers (16).



## 3.5 STEP 4

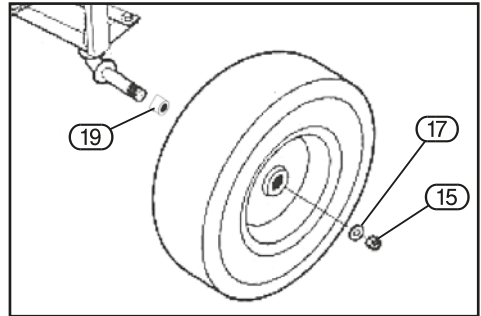
Attach the front frame and rear frame to the tray using round head M8 x 20 bolts (12), M8 lock nuts (14), ID 8mm wide wing washers (16).



## 3. ASSEMBLING THE CART

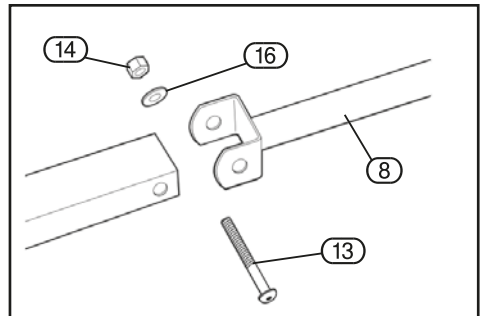
### 3.6 STEP 5

Attach the wheels by first placing the spacers (19) onto each axle, then assemble the wheels using the M12 lock nuts (15) and washers (17).



### 3.7 STEP 6

Attach the handle (8) to the yoke using M8x60 hex bolt (x1) (13), M8 lock nut (x1) (14) and M8 washer (x1) (16).

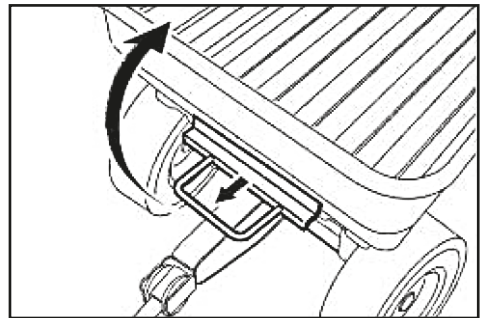


## 4. CART INSTRUCTIONS

### 4.1 USING THE TIPPING FEATURE

To operate the tipping feature, pull the tipping release handle outward to release the plastic hopper from the locking mechanism.

Lift up the release handle to rotate cart upward into the tipping position.



### 4.2 RETURNING THE PLASTIC HOPPER TO THE LOWERED POSITION

Rotate the plastic hopper back down to the lowered position. Make sure the tipping release handle is locked into place when the cart is in the lowered position.

**CAUTION: DO NOT EXCEED MAXIMUM OVERALL LOAD CAPACITY: 200kg.**  
**MAXIMUM TIPPING LOAD CAPACITY: 200kg.**

