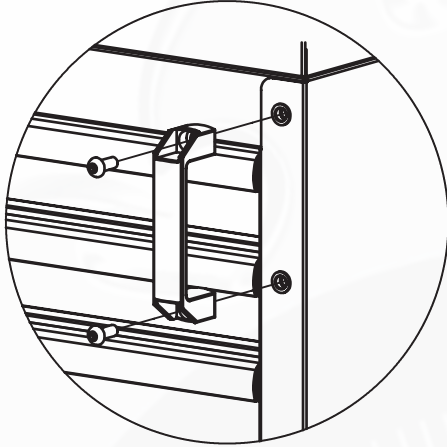


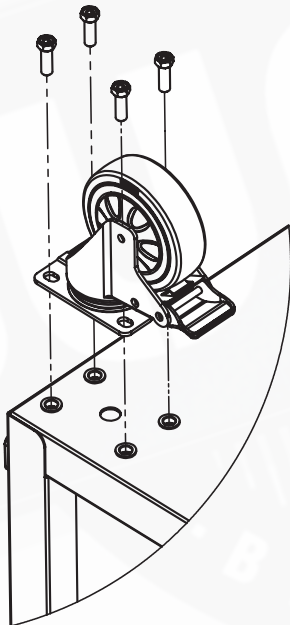
Stock No.
29779 / 29792



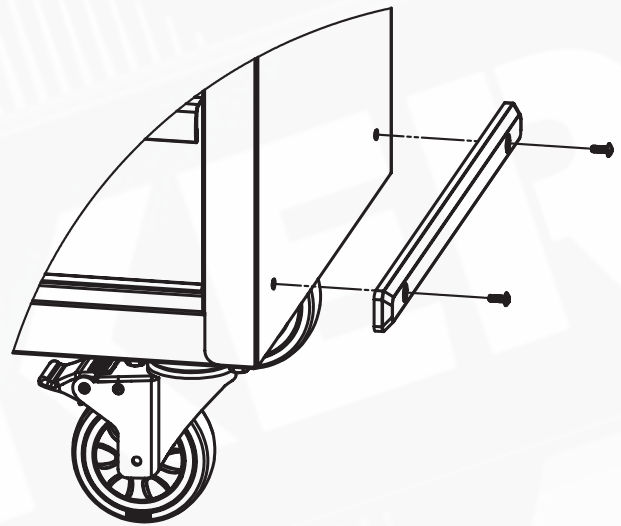
1. Attach Handles

Attach handles to front angled side with 4 pieces of M8 x 20mm bolt.

Do not fully tighten.



To make assembly easier we recommend having two persons aid one another in assembly.



2. Attach Bumpers

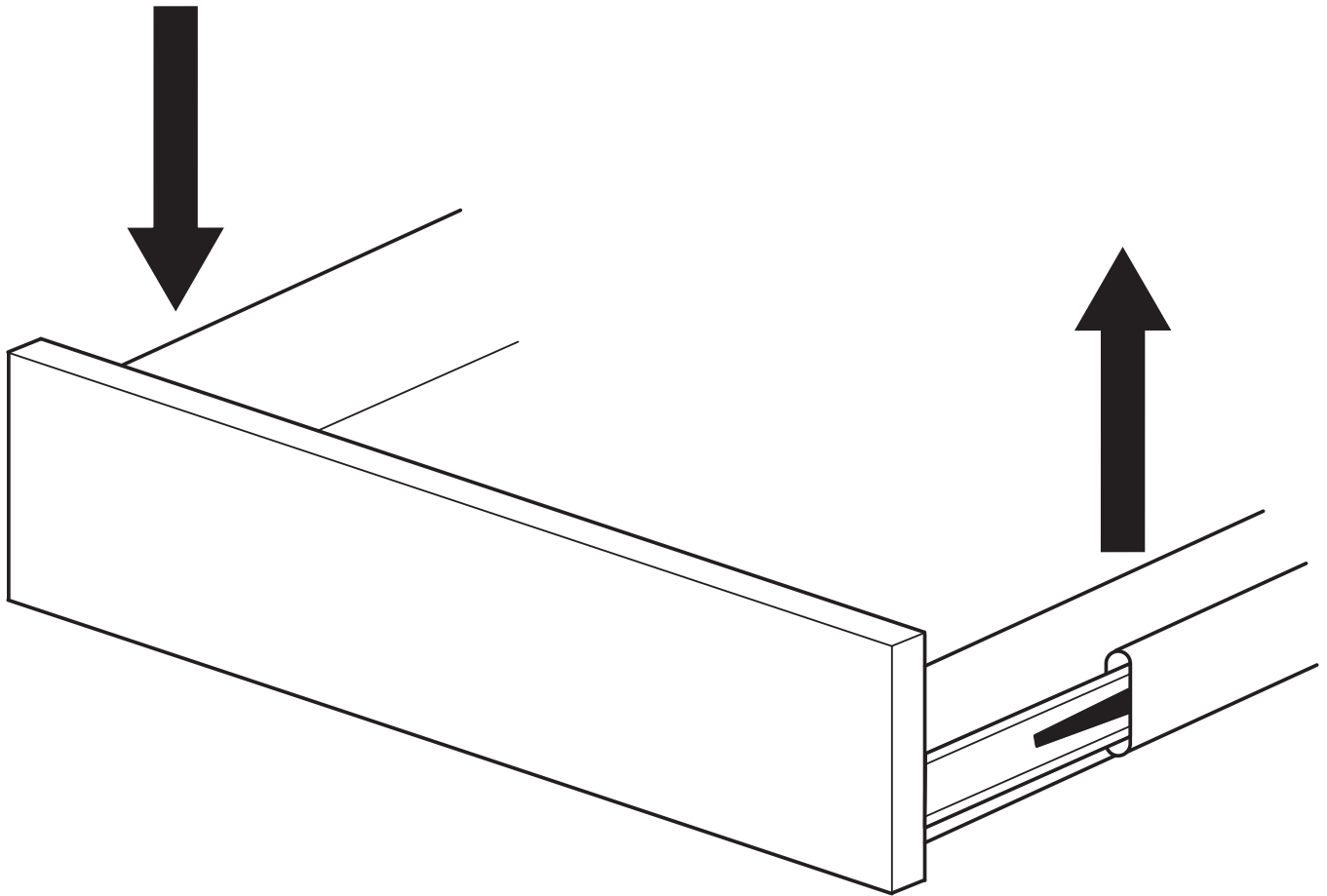
Attach bumpers to side panel with 4 pieces of M4 x 10mm bolt.

Do not fully tighten.

3. Attach Castors

Attach castors to the bottom of unit with 16 pieces of M8 x 20mm bolt.

Do not fully tighten.



REMOVING AND REPLACING THE DRAWERS:

- Pull the drawer completely out
- Press down the left tab and lift up the right tab
- Pull drawer off sliders
- To reinstall the drawer, realign with the internal drawer slider and push in until locked in place

CASTOR MAINTENANCE

Grease the castors annually using high-quality bearing grease.

CARE AND CLEANING

Periodically the surfaces should be cleaned with a mild detergent and water. Grease and oil can be removed with most standard cleaning fluids. For safety, use a non-flammable cleaning fluid.

Auto wax will preserve the storage unit's luster finish and protect against scratches.