

Installing Corner Back Panel / Corner Wall Cabinet with Wall Brackets (Single and Double)

Stock No.
33212/ 33201

To make assembly easier we recommend having two persons aid one another in assembly.

STEP 1:

Attach wall bracket (single and double)* to corner floor cabinet with bolt M8 x 16mm, washer 18 x 8 x 1mm and spring washer 14 x 8.8 x 2.6mm, and tighten with wrench (not included).

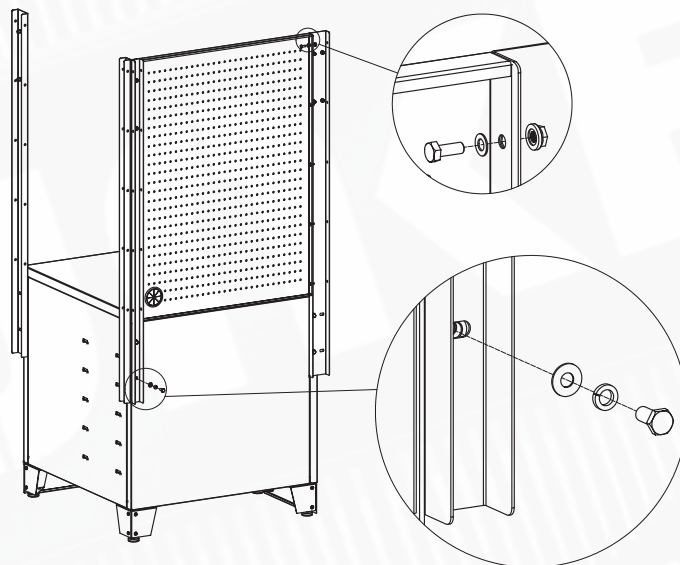
NOTE:

*Use wall bracket (single x 2) + wall bracket (double x 2) for connecting with other unit back panel.

*Use wall bracket (single x 4) if assemble corner unit alone.

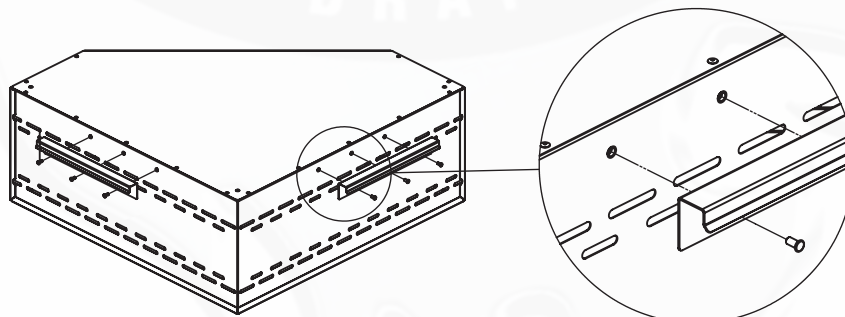
STEP 2:

Attach corner unit back panel to wall bracket (single & double)* with bolt M6 x 16mm, nut M6 and spring washer 12 x 6.5 x 0.8mm, and tighten with wrench (not included).



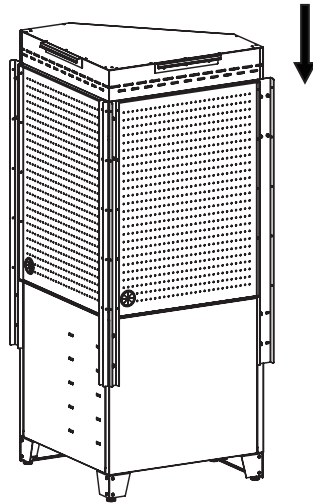
STEP 3:

Attach mounting bracket to back panel of corner wall cabinet with bolt M6 x 12mm and tighten with phillips screwdriver (not included).



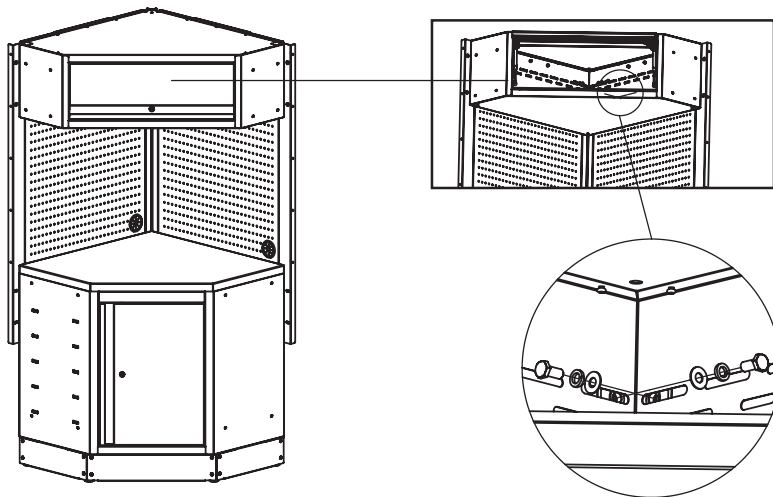
STEP 4:

Hang the corner wall cabinet onto corner unit back panels.



STEP 5:

Attach corner wall cabinet to wall brackets (single & double) with bolt M8 x 16mm, flat washer 8 x 8 x 1mm and spring washer 14 x 8.8 x 2.6mm, and tighten with wrench (not included).



CABINET CONNECTION

Connect the side panels of two cabinets with (4) bolt M6 x 16mm and nut M6, and tighten with wrench (not included).

Note: remove the drawers and open the doors before cabinet connection.

