

**EN**

Original Instructions  
Version 2

**DRAPER**<sup>®</sup>

AIR MOVER

# VENTILATOR

19406, 20046



UK  
CA **CE**

These are the original product instructions. This document is part of the product; retain it for the life of the product, passing it on to subsequent holders. Read this manual in full before attempting to assemble, operate or maintain this product.

This Draper Tools manual describes the purpose of the product and contains all the necessary information to ensure its correct and safe use. Following all the instructions and guidance in this manual will ensure the safety of both the product and the operator and increase the lifespan of the product.

All photographs and drawings within this manual are supplied by Draper Tools to help illustrate correct operation of the product.

Every effort has been made to ensure the information contained in this manual is accurate. However, Draper Tools reserves the right to amend this document without prior warning. Always use the latest version of the product manual.

## 1.1 Product Reference

**User Manual for:** 230V Air Mover Ventilator

**Stock No:** 19406, 20046

**Part No:** AMV8, AMV12

## 1.2 Revisions

**Version 1:** June 2022

First release

**Version 2:** January 2024

For the latest version of this manual and the associated parts list, if applicable, please visit [drapertools.com/manuals](http://drapertools.com/manuals).

## 1.3 Understanding the Safety Content of This Manual



**WARNING!** – Situations or actions that may result in personal injury or death.



**CAUTION!** – Situations or actions that may result in damage to the product or surroundings.

**Important:** – Information or instructions of particular importance.

## 1.4 Copyright © Notice

Copyright © Draper Tools Limited.

Permission is granted to reproduce this manual for personal and educational use **ONLY**. Commercial copying, redistribution, hiring or lending is strictly prohibited.

No part of this manual may be stored in a retrieval system or transmitted in any other form or means without written permission from Draper Tools Limited.

In all cases, this copyright notice must remain intact.

---

1. Preface	2
1.1 Product Reference	2
1.2 Revisions	2
1.3 Understanding the Safety Content of This Manual	2
1.4 Copyright © Notice	2
2. Contents	3
3. Product Introduction	4
3.1 Intended Use	4
3.2 Specification	4
4. Health and Safety Information	5-6
4.1 General Health and Safety Precautions	5
4.2 Additional Safety Information for This Product	5
4.3 Connection to the Power Supply	6
4.4 Residual Risk	6
5. Product Overview	7
5.1 What's in the Box?	7
5.2 Packaging	7
6. Operating Instructions	8-9
6.1 Attaching and Positioning the Ducting	8
6.2 Operating the Fan	9
7. Maintenance and Storage	9
8. Spares, Returns and Disposal	10
9. Warranty	10
10. Explanation of Symbols	11

---

## 3.1 Intended Use

This product is designed to facilitate high-volume air delivery in automotive, commercial, industrial and agricultural environments to extract and replace confined, stale, hot or fume-laden air. Any other application beyond the conditions established for use will be considered misuse. Draper Tools accepts no responsibility for improper use of this product.

Part of our core range, this product is suitable for use by enthusiasts and tradespersons alike.

**WARNING! This product is not a toy and must be respected.**

Read this manual in full before attempting to assemble, operate or maintain the product, and retain it for later use.

## 3.2 Specification

Stock No.	19406	20046
Part No.	AMV8	AMV12
Rated voltage:	220–240V	220–240V
Rated frequency:	50Hz	50Hz
Rated power:	180W	350W
Fan diameter:	8" (200mm)	12" (300mm)
Air flow:	15.56m <sup>3</sup> /min	36.67m <sup>3</sup> /min
Noise emissions:	78dB(A)	88dB(A)
Ducting supplied:	5m (length)	5m (length)
Net weight:	6.45kg	8.55kg

**Important:** The declared noise emissions values have been measured in accordance with a standard test method and may be used for comparing one tool with another. These values may also be used in a preliminary assessment of exposure.

**WARNING! The noise emissions during actual use of the product can differ from the declared values depending on the mode selected and the workpiece upon which it is used.**

Before each use, estimate the likely exposure resulting from the actual conditions of use. Take into account all parts of the operation cycle in order to identify any safety measures required to protect the operator.

**Important:** Read all the Health and Safety instructions before attempting to operate, maintain or repair this product. Failure to follow these instructions may result in injury or damage to the user or the product.

### 4.1 General Health and Safety Precautions

- This appliance is not suitable for use by children and may not be used by persons with reduced physical, sensory or mental capabilities, or lack of experience or knowledge unless they are supervised or trained in the correct use of the device and fully understand the hazards involved.
  - **DO NOT** allow children to play with the appliance.
  - Cleaning and maintenance **MUST** be carried out by or under the supervision of experienced and knowledgeable persons.
- Observe all standard safety protocols and good practices while working with electrical devices and rotating blades.
- Inspect the product before every use for cracked, corroded or broken parts.
- **WARNING! DO NOT use this product if it is damaged in any way. Contact Draper Tools for repair and replacement options.**
- **DO NOT** abuse the power cable.
  - **DO NOT** carry the appliance by the power cable.
  - **DO NOT** tug or pull on the power cable to disconnect the plug from a power outlet.
  - **DO NOT** handle the power cable or plug with wet hands.
  - **DO NOT** immerse the power cable in water or other liquids.
  - Keep the cable away from oils, grease and heated or sharp surfaces that may damage it.
- **DO NOT** attempt to disassemble or modify this product in any way.
- Use this product only as instructed in this manual.
- Use only replacement parts supplied by Draper Tools.

### 4.2 Additional Safety Information for This Ventilator

- Dress appropriately and keep long hair, jewellery and loose-fitting clothing tied back to avoid snagging while using this product.
- Wear hearing protection when working near this product for extended periods and position the fan unit away from the space to be ventilated during operation where possible.
- The fan unit **MUST** be positioned indoors and protected from rain.
- Position the fan on a firm, flat and level surface capable of supporting the unit during use.
- **DO NOT** position the product on or near soft or fibrous surfaces that may cause long or loose strands to be drawn into the fan blades.
- **DO NOT** position this product in any environment in which dust or ash are present as they may be drawn into the fan and damage the product or cause air pollution when expelled.
- **DO NOT** install this product in the vicinity of gas appliances, open flames, and cooling or heating appliances.
- **ALWAYS** install the fan in its upright position.
- Ensure that any ducting is attached to the product **BEFORE** connecting a power supply and switching the fan on.
- Ensure that the mains outlet to which the product is connected is accessible at all times.
- **DO NOT** run the power cable beneath a carpet or rug.
- Take any necessary precautions to ensure that extracted air does not flow back into the space from which it was removed.
- Ensure that the air inlet is clear and unobstructed.
- **NEVER** cover any part of the fan and ensure that the inlet and outlet grilles remain unobstructed.
- **DO NOT** insert your fingers or other foreign objects through the grille while the fan is running and avoid contact with moving parts.
- **NEVER** direct the air flow towards yourself or others.
- **DO NOT** leave the product running unattended.

- **DO NOT** use this product with a programmer, timer, separate remote-control system or any other device that switches the fan on automatically as it may be covered or positioned incorrectly when activated and cause a hazard.
- **ALWAYS** switch off the fan, disconnect it from mains power and allow the fan blades to completely stop before removing the grille or performing any cleaning, maintenance or moving the product.
- **WARNING! This product is NOT suitable for use in flammable environments or where flammable fumes or materials may be drawn into the ventilator and ducting. DO NOT use this product to extract flammable fumes and gases.**
- If you are in any doubt about the safety the environment to be ventilated or extracted, seek advice from a specialist before use.

### 4.3 Connection to the Power Supply

**WARNING! Risk of electric shock. DO NOT open this product.**

This appliance is supplied with an approved plug and cable for your safety.

If the supply cord is damaged, it must be replaced by a special cord or assembly available from Draper Tools or its service agent. The damaged or incomplete plug, when cut from the cable, must be disabled to prevent connection to a live electrical outlet.

This product is Class I\* and is designed for connection **ONLY** to a power supply matching that detailed on the rating label and compatible with the plug fitted.

The value of the fuse fitted is marked on the pin face of the plug. Should the fuse need replacing, ensure the substitute is of the correct rating, approved to BS 1363/A and ASTA or BS Kite marked. This should only be performed by suitably qualified personnel.



The fuse can be replaced by removing the cover using a small plain slot screwdriver and removing the broken fuse from its holder. This should only be performed by suitably qualified personnel.

If an extension lead is required, use an approved and compatible lead rated for this appliance. Follow all the instructions supplied with the extension lead.

**Important:** Always follow the extension lead instructions regarding maximum load while the cable is wound. If in doubt, unwind the entire cable. A coiled extension lead generates heat which could melt the lead and cause a fire.



**\*Earthed :** This product requires an earth connection to protect against electric shock from accessible conductive parts in the event of a failure of the basic insulation.

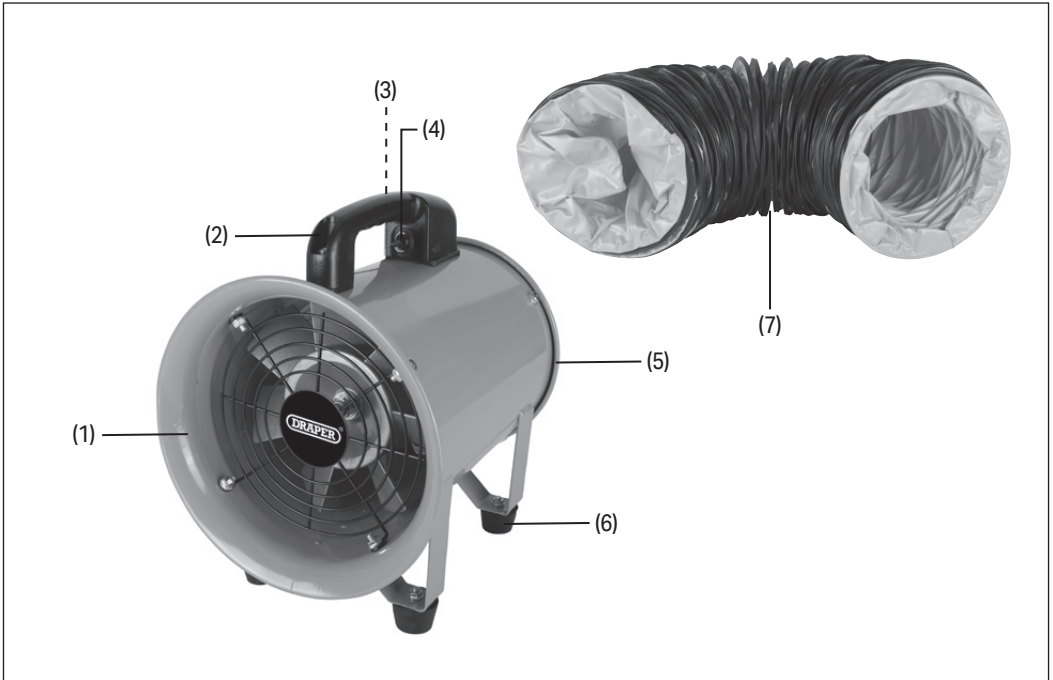
### 4.4 Residual Risk

The safety instructions in this manual cannot account for all possible conditions and situations that may occur. Exercise common sense and caution when using this product and protect against any additional conceivable risks.

## 5.1 What's in the Box?

Carefully remove the product from the packaging and examine it for any signs of damage that may have occurred during shipment. If any part is damaged or

missing, do not attempt to use the product. Please contact the Draper Helpline; contact details can be found at the back of this manual.



- (1) Inlet
- (2) Transport handle
- (3) Power cable
- (4) Power switch

- (5) Outlet
- (6) Rubber feet
- (7) Ducting

## 5.2 Packaging

Keep the product packaging for the duration of the warranty period in case the product needs to be returned for repair.

**WARNING! Keep packaging materials out of reach of children. Dispose of packaging correctly and responsibly and in accordance with local regulations.**

Please visit [drapertools.com](http://drapertools.com) for our full range of accessories and consumables.

**Important:** Before operating this product, read and understand all the safety instructions listed in this manual.

### 6.1 Attaching and Positioning the Ducting

The ducting should be installed before every use. Attach the ducting to the appropriate end of the fan unit according to the operation.

#### • Extraction

- If the fan is located **outside** the space to be treated, attach the ducting to the **inlet** (1) of the fan unit.
- If the fan is located **inside** the space to be treated, attach the ducting to the **outlet** (5) of the fan unit.

#### • Ventilation

- If the fan is located **outside** the space to be treated, attach the ducting to the **outlet** (5) of the fan unit.
- If the fan is located **inside** the space to be treated, attach the ducting to the **inlet** (1) of the fan unit.

**Important:** For most operations, Draper Tools recommends that the fan is located away from the space to be treated to reduce exposure to noise emissions.

To attach the ducting to the fan unit - Fig. 1:

1. Pull one end of the ducting over the appropriate part of the fan, then pull the drawstring tight and knot it securely.
2. Fully extend the ducting and keep it as flat as possible to minimise restrictions to the airflow.
3. Position the fan unit or the open end of the ducting as appropriate as far from the space to be treated as possible and take precaution to prevent the backflow of air to its original location.
  - The ducting is fitted with locating lugs at various points to allow it to be suspended or secured if required.

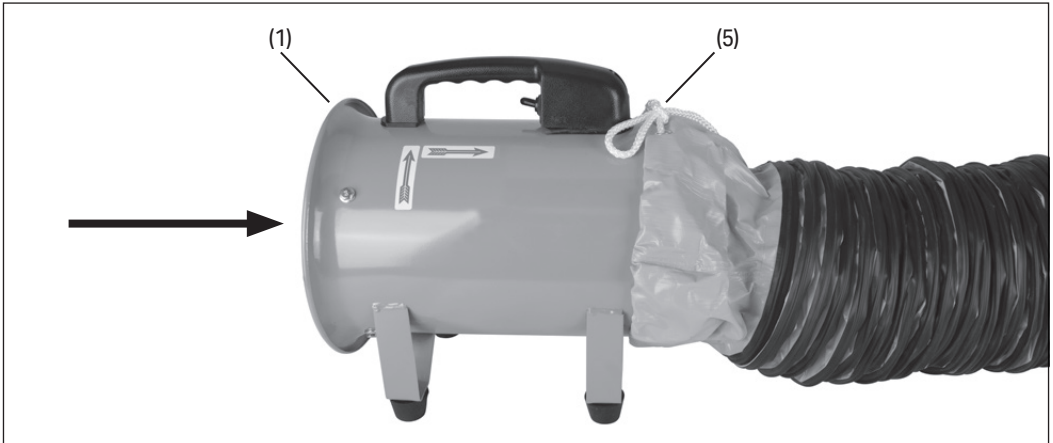


Fig. 1



### 6.2 Operating the Fan

**WARNING!** Ensure that the ducting is attached to the unit and that the unit and the ducting are correctly positioned **BEFORE** connecting the product to a power supply and switching it on.

1. Position the fan unit as required for the operation.

**Important:** The fan unit **MUST** be positioned indoors and protected from rain.

2. Attach the ducting to the fan unit as appropriate for the operation and position it as required; see **6.1 Attaching and Positioning the Ducting**.

3. For some extraction operations, it may be beneficial to close or cover any entrances and apertures into the space to be treated to avoid drawing further air from outside the space through the ventilator.

4. Connect the power cable to a power supply.

5. Move the power switch (4) to the ON position to start the fan rotor.

**Important:** When switching off the product, move the power switch to the OFF position, disconnect the power supply and wait for the blades to completely stop before moving or maintaining it.

## 7. Maintenance and Storage

**Important:** Read all the safety information listed in this manual before attempting to maintain, service or repair this product.

**WARNING! ALWAYS ensure that the fan is switched off, disconnected from mains power and that the blades have completely stopped before working on this product.**

**CAUTION! DO NOT allow water to enter the motor housing while cleaning the product**

- Clean the grilles and blades using a damp cloth **ONLY**.
  - **NEVER** use solvents or aggressive chemicals for cleaning as these may damage the plastic or insulated parts of the fan.

- **DO NOT** spray the fan unit or immerse it in water.

- Clean the fan thoroughly before storage.
- When storing the unit, cover it in a plastic bag to protect it from dust and store it in a clean and dry location out of reach of children.
- Disconnect the power supply when the product will not be used for extended periods.

**Important:** This product contains no user-serviceable parts. If your product requires any maintenance beyond regular cleaning, contact Draper Tools for support.

## 8. Spares, Returns and Disposal

EN

For spare parts, servicing, and repair and replacement options, please contact the Draper Tools Product Helpline for details of your nearest authorised agent.

Draper Tools will endeavour to hold any spare parts, if applicable, for seven years from the date that it sells the final matching stock item.

Any servicing or repairs carried out by unauthorised personnel or installation of spare parts not supplied by Draper Tools will invalidate your warranty.

At the end of its working life, dispose of the product responsibly and in line with local regulations. Recycle where possible.

**DO NOT** dispose of this product with domestic waste; most local authorities provide appropriate recycling facilities.



WEEE –

Waste Electrical & Electronic Equipment

Do not dispose of Waste Electrical & Electronic Equipment in with domestic rubbish

## 9. Warranty

EN

Draper Tools products are guaranteed for 12 months to be free from defective materials and workmanship. Full details of the warranty period can be found on the Draper Tools Website.

Should the tool develop a fault within the warranty period, return the complete tool to the place of purchase or contact Draper Tools directly. Proof of purchase must be provided.

This warranty does not apply to any consumable parts or normal wear and tear.

It also does not cover any damage caused by misuse, careless or unsafe handling, modifications, or repairs carried out by any personnel other than an authorised Draper Tools repair agent.

Please note that this guarantee is in addition to and does not affect your statutory rights.

**Draper Tools Limited**

# 10. Explanation of Symbols



Warning!



Rated power



Rated voltage



Max. air flow



Compliant with the Energy-related Products Directive



For indoor use only;  
do not expose to rain



Class I appliance; must be earthed



WEEE –  
Waste Electrical & Electronic Equipment  
Do not dispose of Waste Electrical & Electronic Equipment  
in with domestic rubbish



European conformity



UK Conformity Assessed

## Contact Details

### **Draper Tools**

Draper Tools Limited  
Hursley Road  
Chandler's Ford  
Eastleigh  
Hampshire  
SO53 1YF  
UK

**Website:** [drapertools.com](http://drapertools.com)

**Email:** [sales@drapertools.com](mailto:sales@drapertools.com)

**Product Helpline:** +44 (0) 23 8049 4344

**Telephone Sales Desk:** +44 (0) 23 8049 4333

**General Enquiries:** +44 (0) 23 8026 6355

**General Fax:** +44 (0) 23 8026 0784

### **Delta International**

Delta International BV  
Oude Graaf 8  
6002 NL  
Weert  
Netherlands

Please contact the Draper Tools Product Helpline for repair and servicing enquiries.