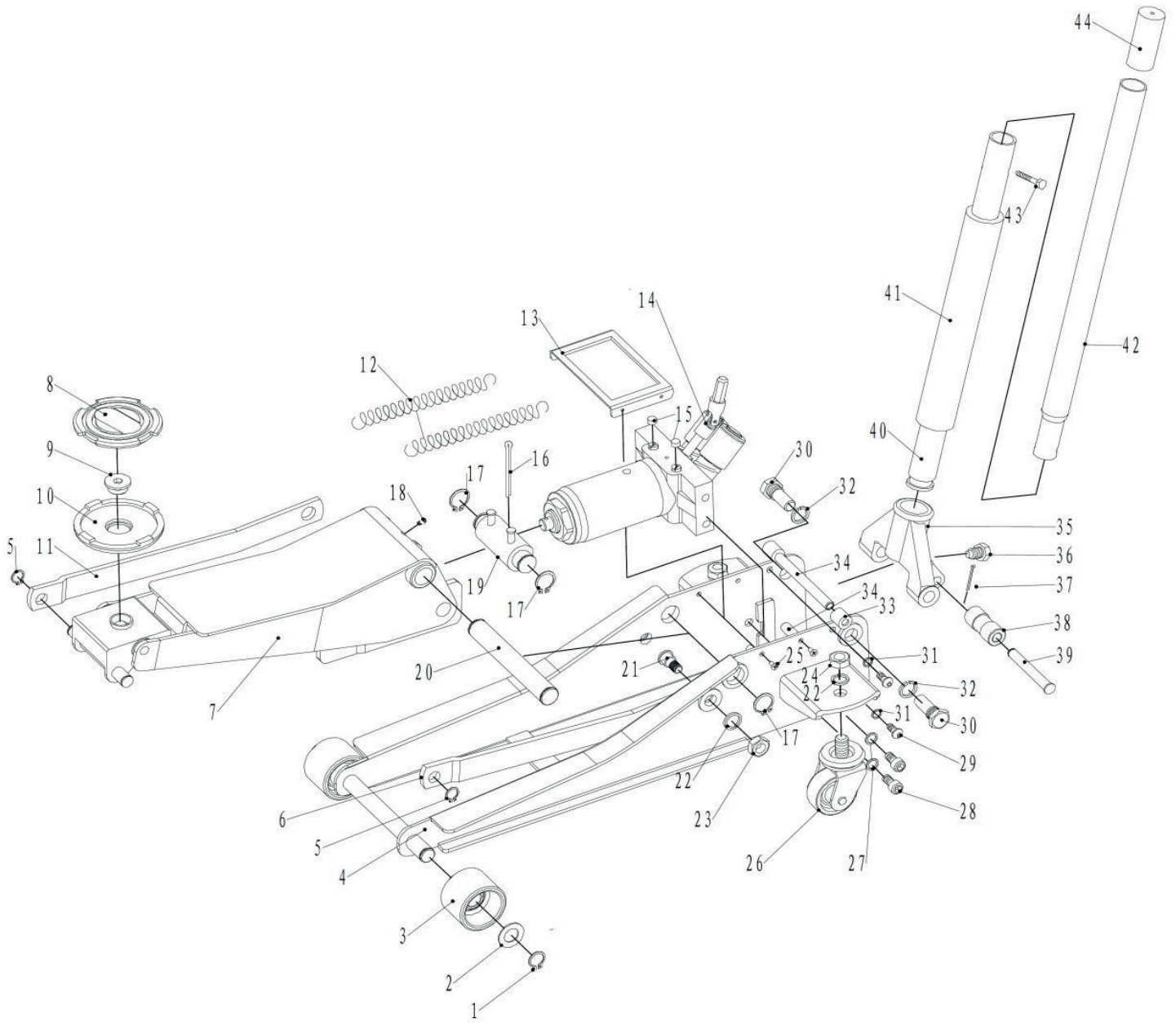




Parts Information:
Trolley Jack 2tonne Low Entry Rocket Lift
Model No: 2001LE SERIES



NOTE: It is our policy to continually improve products and as such we reserve the right to alter data, specifications and component parts without prior notice.

IMPORTANT: No liability is accepted for incorrect use of product.

WARRANTY: Guarantee is 12 months from purchase date, proof of which will be required for any claim.

Sealey Group, Kempson Way, Suffolk Business Park, Bury St Edmunds, Suffolk. IP32 7AR



01284 757500



01284 703534



sales@sealey.co.uk



www.sealey.co.uk



Parts Information:
Trolley Jack 2tonne Low Entry Rocket Lift
Model No: 2001LE SERIES

Item	Part No.	Description
1	2001LE.01	RETAINING RING 20mm
2	2001LE.02	FLAT WASHER 20mm
3	2001LE.03	WHEEL,FRONT FIXED (60x20x49)
4	2001LEHV.04	SIDE PLATE (GREEN) (2001LEHV model)
4	2001LEOR.04	SIDE PLATE (ORANGE) (2001LEOR model)
4	2001LEBL.04	SIDE PLATE (BLUE) (2001LEBL model)
4	2001LERE.04	SIDE PLATE (RED) (2001LERE model)
5	2001LE.05	RETAINING RING 16mm
6	2001LE.06	CONNECTING ROD, LEFT
7	2001LEHV.07	LIFTING ARM (GREEN) (2001LEHV model)
7	2001LEOR.07	LIFTING ARM (ORANGE) (2001LEOR model)
7	2001LEBL.07	LIFTING ARM (BLUE) (2001LEBL model)
7	2001LERE.07	LIFTING ARM (RED) (2001LERE model)
8	2001LE.08	RUBBER PAD
9	2001LE.09	SADDLE PIN
10	2001LE.10	SADDLE
11	2001LE.11	CONNECTING ROD, RIGHT
12	2001LE.12	TENSION SPRING
13	2001LE.13	COVER PLATE
14	2001LE.14	PUMP ASS'Y
15	2001LE.15	SAFETY COVER
16	2001LE.16	COTTER PIN (4x45)
17	2001LE.17	RETAINING RING (25mm)
18	GNM19S	GREASE NIPPLE STR 6 x 1.00mm SINGLE
19	2001LE.19	CONNECTING ROD

Item	Part No.	Description
20	2001LE.20	LIFTING ARM PIN
21	2001LE.21	CONNECTING ROD BOLT
22	2001LE.22	SPRING WASHER 16mm
23	SN16.S	STEEL NUT M16 ZINC DIN934(SINGLE)
24	SN16.S	STEEL NUT M16 ZINC DIN934(SINGLE)
25	2001LE.25	PHILLIPS C/S HEAD TAPPING SCREW M5x15
26	2001LE.26	WHEEL,REAR CASTOR (60x8x25x86)
27	2001LE.27	SPRING WASHER 10mm
28	2001LE.28	SOCKET HEAD BOLT (M10x20)
29	BHSS820.S	BUTTON HEAD SOCKET SCREW M8x20 ZINC
30	2001LE.30	HANDLE SOCKET SUPPORT BOLT
31	2001LE.31	SPRING WASHER 8mm
32	2001LE.32	SPRING WASHER 18mm
33	2001LE.33	BUSHING FOR SUPPORT ROD
34	2001LE.34	SUPPORT ROD
35	2001LE.35	HANDLE SOCKET
36	2001LE.36	HANDLE SOCKET SCREW M12
37	2001LE.37	COTTER PIN (2.5x16)
38	2001LE.38	HANDLE SOCKET ROLLER
39	2001LE.39	ROLLER PIN SHAFT
40	2001LE.40	LOWER HANDLE
41	2001LE.41	HANDLE COVER
42	2001LE.42	UPPER HANDLE
43	SS635.S	HEX HEAD SET SCREW M6x35mm SINGLE
44	2001LE.44	HANDLE GRIP

NOTE: It is our policy to continually improve products and as such we reserve the right to alter data, specifications and component parts without prior notice.

IMPORTANT: No liability is accepted for incorrect use of product.

WARRANTY: Guarantee is 12 months from purchase date, proof of which will be required for any claim.

Sealey Group, Kempson Way, Suffolk Business Park, Bury St Edmunds, Suffolk. IP32 7AR



01284 757500



01284 703534



sales@sealey.co.uk



www.sealey.co.uk