



100KG ENGINE REBUILD STAND - MULTICYLINDER

MODEL NO: MES03

Thank you for purchasing a Sealey product. Manufactured to a high standard, this product will, if used according to these instructions, and properly maintained, give you years of trouble free performance.

IMPORTANT: PLEASE READ THESE INSTRUCTIONS CAREFULLY. NOTE THE SAFE OPERATIONAL REQUIREMENTS, WARNINGS & CAUTIONS. USE THE PRODUCT CORRECTLY AND WITH CARE FOR THE PURPOSE FOR WHICH IT IS INTENDED. FAILURE TO DO SO MAY CAUSE DAMAGE AND/OR PERSONAL INJURY AND WILL INVALIDATE THE WARRANTY. KEEP THESE INSTRUCTIONS SAFE FOR FUTURE USE.



Refer to
Instruction
Manual

1. SAFETY

- ❑ **WARNING!** Ensure all Health and Safety, local authority, and general workshop practice regulations are strictly adhered to when using this equipment.
- ✗ **DO NOT** use unit if damaged.
- ✓ Replace or repair damaged parts. Use recommended parts only. Unauthorised parts may be dangerous and will invalidate the warranty.
- ✓ Keep the stand clean for best and safest performance.
- ✓ Locate the stand in a suitable work area. Keep area clean and tidy and free from unrelated materials. Ensure there is adequate lighting.
- ✓ Use on a firm, level surface capable of sustaining the stand and the load.
- ✓ Maintain correct balance and footing. Ensure the floor is not slippery and wear non-slip shoes.
- ✓ Ensure all non-essential persons keep a safe distance whilst the stand is in use.
- ✓ Lock ratchet in position with locking pin before fixing a load and ensure the engine is centred and securely mounted.
- ✓ Ensure the stand and load are stable.
- ✓ **DO NOT** allow untrained persons to use the stand.
- ✗ **DO NOT** exceed the rated capacity.
- ✗ **DO NOT** use the stand for purposes other than those for which it is designed.
- ✓ When not in use store stand in a safe, dry, childproof area.

2. INTRODUCTION

Suitable for supporting large multi-cylinder engines (maximum weight 100kg). The supports can rotate for accessibility to all parts of the engine. Width and length adjustable. Engine stand's frame elongates to allow adjustment for length between mounting points.

3. SPECIFICATION

Model no: **MES03**
 Maximum capacity: 100kg
 Height: 480mm
 Length: 970mm

4. ASSEMBLY

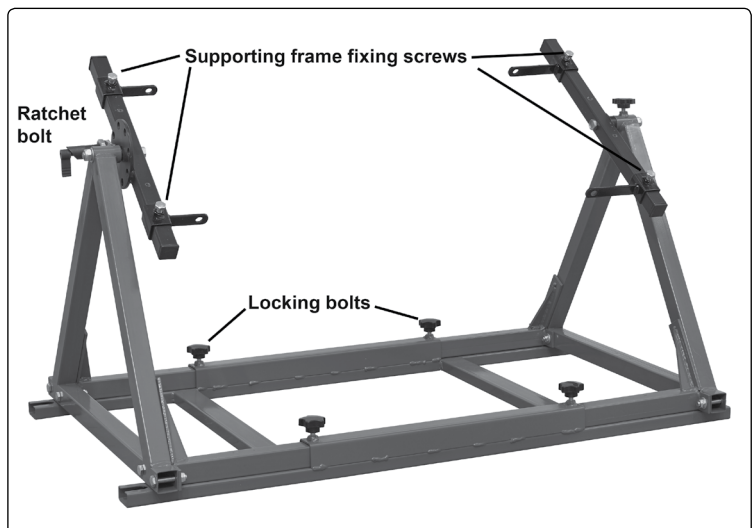
- 4.1. Assemble as Parts Diagram overleaf and ensure fixings are secure.

5. OPERATION

- 5.1. Numbers refer to Parts list overleaf.
- 5.1. Adjust width of frame to suit engine and tighten locking bolts (17).
- 5.2. Use original engine mounting bolts or studding, washers and nuts of appropriate size to secure the engine to the stand, using supporting frames (11).
- 5.3. Ensure all fixings and screws (9) that secure supporting frames (11) and locking bolts (17) are tight before rotating engine.
- 5.4. Be aware of centre of gravity shifting as an engine is rotated.
- 5.5. Take the weight of the engine (the help of a second person may be needed) before releasing the ratchet bolt (1).

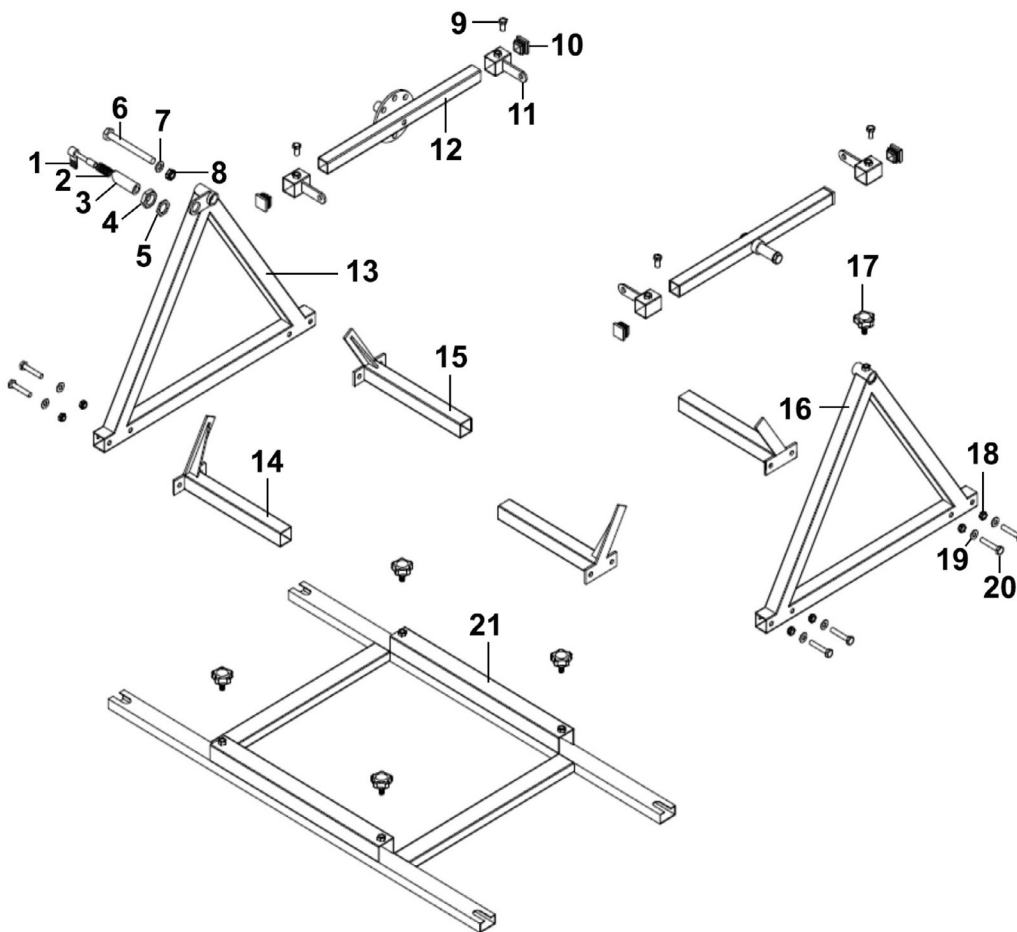
6. MAINTENANCE

- 6.1. Periodically check tightness of all fixings.
- 6.2. Keep frame clean (do not use solvents).





Parts Information:
Engine Rebuild Stand - Multi Cylinder
100kg
Model No: MES03



Item	Part No.	Description
1	MES03.01	Ratchet Bolt
2	MES03.02	Ratchet Bolt Spring
3	MES03.03	Ratchet Nut
4	MES03.04	Nut M20 x 1.5
5	MES03.05	Nut M20 x 1.5 (Thin)
6	HHB1090.S	Hex Head Bolt M10 x 90mm
7	FWM10.S	Flat Washer M10 Zinc
8	SN10.S	Steel Nut M10 Zinc
9	SS816.S	Hex Head Set Screw M8 X 16 Zinc
10	MES03.10	Plastic End Plug
11	MES03.11	Supporting Frame

Item	Part No.	Description
12	MES03.12	Rotation Frame (A)
13	MES03.13	Upright Post (A)
14	MES03.14	Guide Post (A)
15	MES03.15	Guide Post (B)
16	MES03.16	Upright Post (B)
17	MES03.17	Locking Bolt
18	SN8.S	Steel Nut M8 Zinc
19	FWM8.S	Flat Washer M8 Zinc
20	HHB855.S	Hex Head Bolt M8 x 55mm
21	MES03.21	Bottom Frame
--	MES03.22	Rotation Frame (B) (Not Shown)

MES03 Issue1 17/12/19



ENVIRONMENT PROTECTION

Recycle unwanted materials instead of disposing of them as waste. All tools, accessories and packaging should be sorted, taken to a recycling centre and disposed of in a manner which is compatible with the environment. When the product becomes completely unserviceable and requires disposal, drain any fluids (if applicable) into approved containers and dispose of the product and fluids according to local regulations.

Note: It is our policy to continually improve products and as such we reserve the right to alter data, specifications and component parts without prior notice.

Important: No Liability is accepted for incorrect use of this product.

Warranty: Guarantee is 12 months from purchase date, proof of which is required for any claim.

Sealey Group, Kempson Way, Suffolk Business Park, Bury St Edmunds, Suffolk. IP32 7AR



01284 757500



01284 703534



sales@sealey.co.uk



www.sealey.co.uk