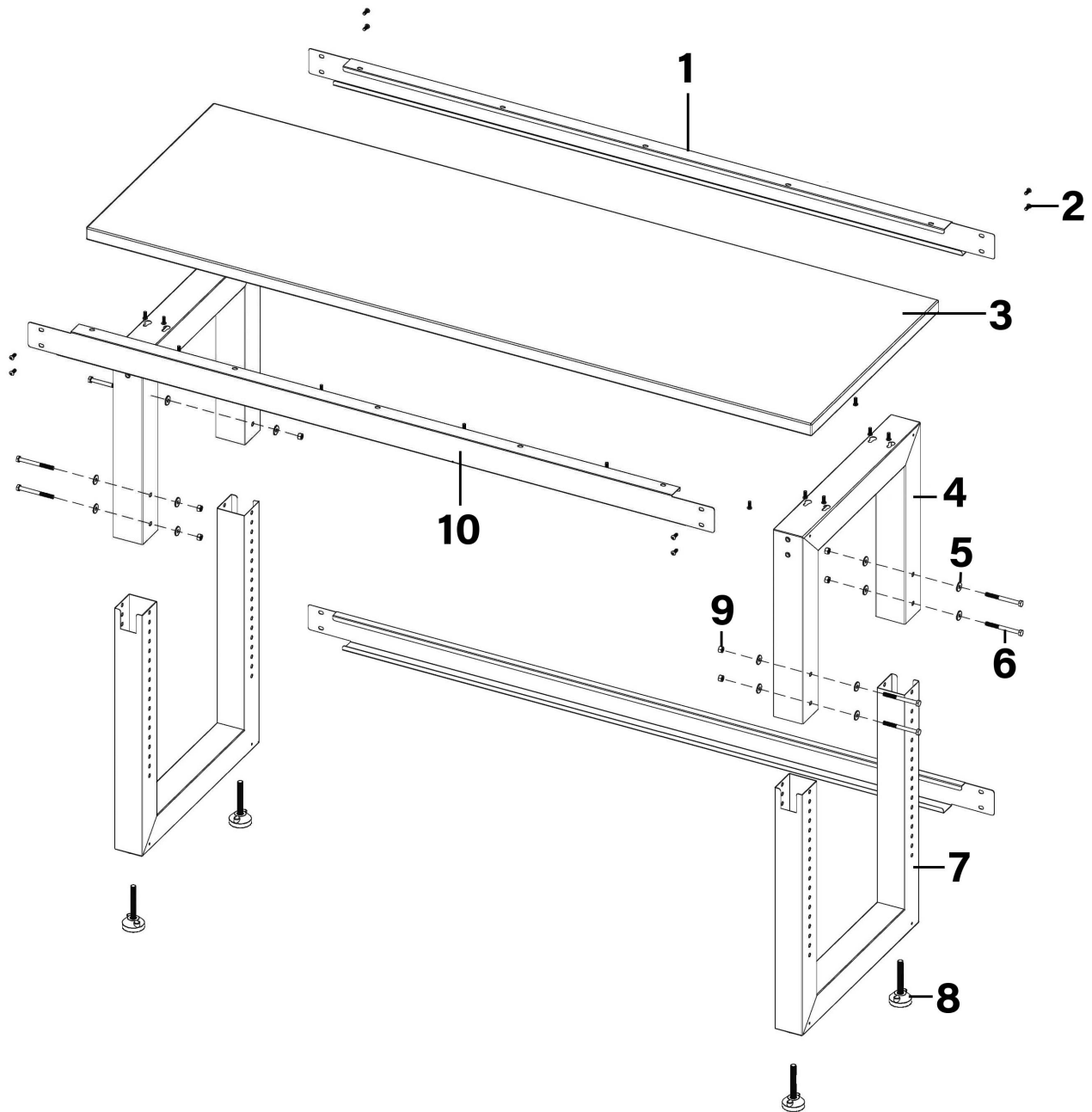




Parts Information:
Steel Adjustable Workbench with Stainless Steel Worktop 1830mm - Heavy-Duty
Model No: APMS22 & APMS23



Item	Part No.	Description
1	APMS-244311	Back Support Beam
2	SCB616.S	Socket Cap Bolt M6 x 16mm
3	APMS-307023	Worktop (Wooden)(APMS22 ONLY)
3	APMS23.01	Worktop (Steel)(APMS23 ONLY)
4	APMS-122338	Upper Supporting Frame
5	PTB-324002	Washer

Item	Part No.	Description
6	HHB890.S	Hex Head Bolt M8 x 90mm
7	APMS-114029	Bottom Supporting Frame
8	APMS-313068	Adjustable Foot
9	SN8.S	Steel Nut M8 Zinc
10	APMS-244311-N01	Front Support Beam

NOTE: It is our policy to continually improve products and as such we reserve the right to alter data, specifications and component parts without prior notice. There may be alternative versions of this product, please contact us should you require this information.

IMPORTANT: No liability is accepted for incorrect use of product. Spare parts must be fitted by a competent person

WARRANTY: Guarantee is 12 months from purchase date, proof of which will be required for any claim.

Sealey Group, Kempson Way, Suffolk Business Park, Bury St Edmunds, Suffolk. IP32 7AR



01284 757500



01284 703534



sales@sealey.co.uk



www.sealey.co.uk