



# WALL MOUNTED STORAGE HOOKS - SET OF 4

MODEL NO.: **APWH**

Thank you for purchasing a Sealey product. Manufactured to a high standard, this product will, if used according to these instructions, and properly maintained, give you years of trouble free performance.

**IMPORTANT:** PLEASE READ THESE INSTRUCTIONS CAREFULLY. NOTE THE SAFE OPERATIONAL REQUIREMENTS, WARNINGS & CAUTIONS. USE THE PRODUCT CORRECTLY AND WITH CARE FOR THE PURPOSE FOR WHICH IT IS INTENDED. FAILURE TO DO SO MAY CAUSE DAMAGE AND/OR PERSONAL INJURY AND WILL INVALIDATE THE WARRANTY. KEEP THESE INSTRUCTIONS SAFE FOR FUTURE USE.



Refer to instruction manual



Wear eye protection (during installation)

## 1. SAFETY

- ✓ Carefully choose location to minimise the risk of injury.
- ✗ **DO NOT** overload.
- ✓ Ideal for use on a brick wall.
- ✓ Be aware of existing plumbing and electrical cables before fixing to the wall.

## 2. INTRODUCTION

Set of 4 wall mounted storage hooks ideal for organizing your garage or workshop. Heavy-duty construction with a capacity of 50kg per hook. Can be used to store vehicle wheels as well as items such as ladders, bicycles and much more. Easy to fit with all mounting hardware included.

## 3. SPECIFICATION

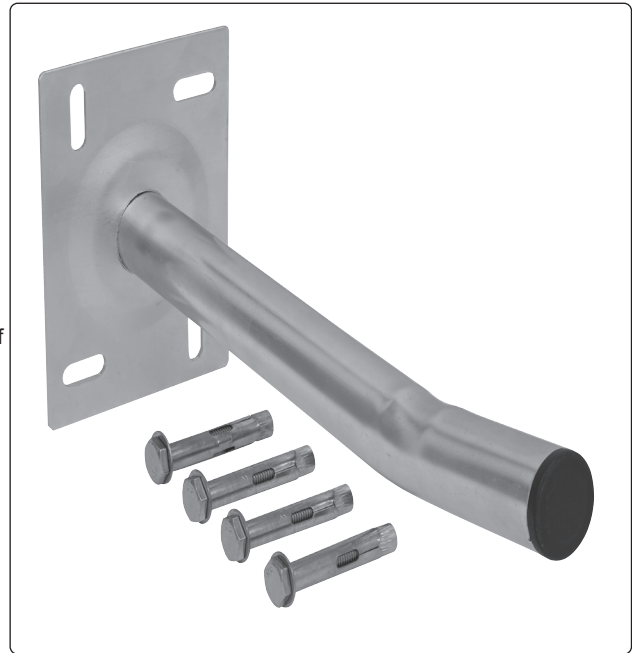
Model No.: ..... APWH  
 Pack Qty.: ..... 4  
 4 Mounting slots per bracket 10mm wide x 20mm centres  
 Fixing hole diameter:..... 12mm


## 4. INSTALLATION

- 4.1. Mark the positions of the holes to be drilled. Drill the holes after making a risk assessment of the drilling operation and positioning of the hook.
- 4.2. Drill the holes to the correct diameter and depth to accept the supplied fixings and insert them.
- 4.3. Locate the hook into position and use the fixings to securely mount it to the wall.

## 5. MAINTENANCE

- 5.1. Use a damp, soapy cloth to clean. **DO NOT** use solvents.



 **ENVIRONMENT PROTECTION**  
 Recycle unwanted materials instead of disposing of them as waste. All tools, accessories and packaging should be sorted, taken to a recycling centre and disposed of in a manner which is compatible with the environment. When the product becomes completely unserviceable and requires disposal, drain any fluids (if applicable) into approved containers and dispose of the product and fluids according to local regulations.

**Note:** It is our policy to continually improve products and as such we reserve the right to alter data, specifications and component parts without prior notice.  
**Important:** No Liability is accepted for incorrect use of this product.  
**Warranty:** Guarantee is 12 months from purchase date, proof of which is required for any claim.

**Sealey Group, Kempson Way, Suffolk Business Park, Bury St Edmunds, Suffolk. IP32 7AR**  
 01284 757500  01284 703534  sales@sealey.co.uk  www.sealey.co.uk