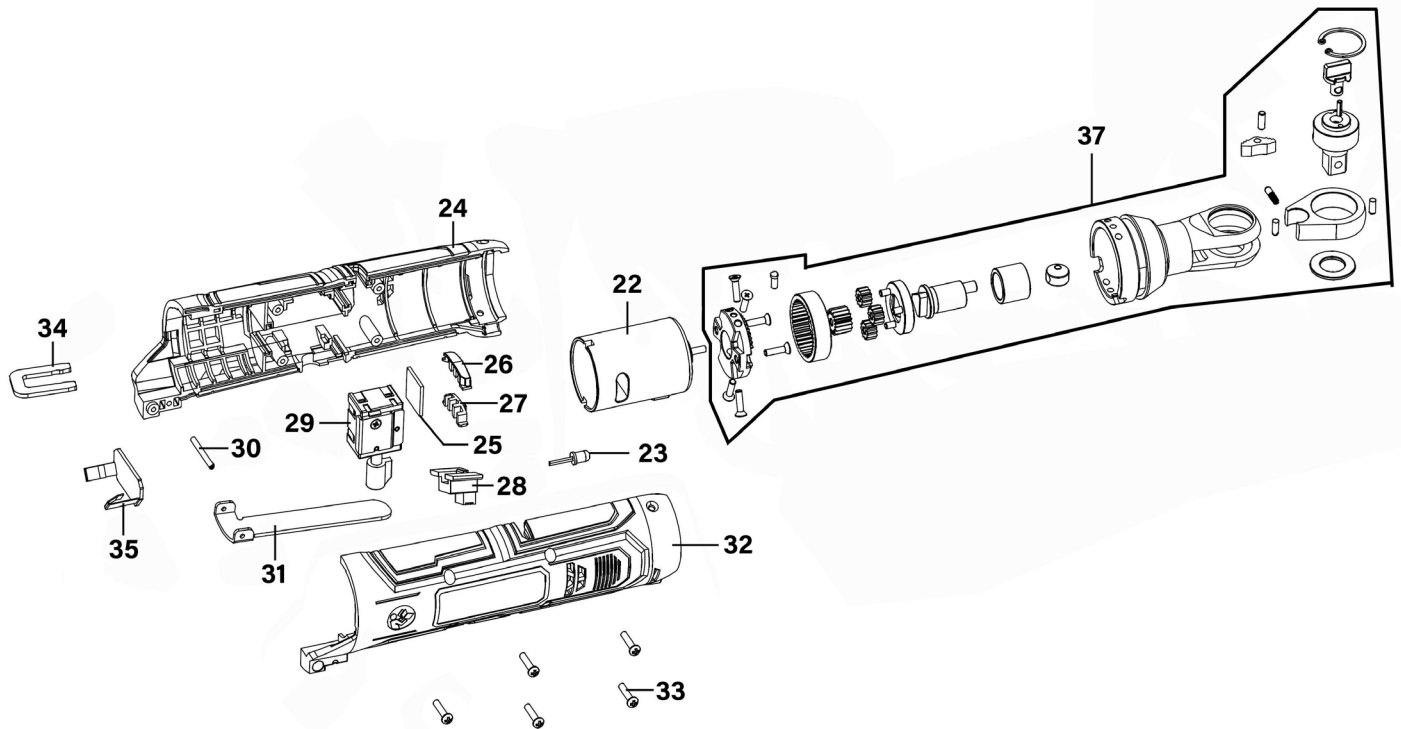




Parts Information:
Cordless Ratchet Wrench 3/8" Sq Drive
10.8V - Body Only
Model No: CP108VCRWBO



Item	Part No.	Description
22	CP108VCRW.22	Motor
23	CP108VCRW.23	LED
24	CP108VCRW.24	Housing, Left Side
25	CP108VCRW.25	Power Indicator
26	CP108VCRW.26	Power Indicator Cover
27	CP108VCRW.27	Power Indicator Support
28	CP108VCRW.28	Lock Button
29	CP108VCRW.29	Switch

Item	Part No.	Description
30	CP108VCRW.30	Throttle Lever Pin 2x25
31	CP108VCRW.31	Throttle Lever
32	CP108VCRW.32	Housing, Right Side
33	CP108VCRW.33	Self-Tapping Screw ST3x14
34	CP108VCRW.34	Buckle
35	CP108VCRW.35	Battery Connector
37	CP108VCRW.RA	Ratchet Assembly

NOTE: It is our policy to continually improve products and as such we reserve the right to alter data, specifications and component parts without prior notice. There may be alternative versions of this product, please contact us should you require this information.

IMPORTANT: No liability is accepted for incorrect use of product. Spare parts must be fitted by a competent person

WARRANTY: Guarantee is 12 months from purchase date, proof of which will be required for any claim.

Sealey Group, Kempson Way, Suffolk Business Park, Bury St Edmunds, Suffolk. IP32 7AR



01284 757500



01284 703534



sales@sealey.co.uk



www.sealey.co.uk