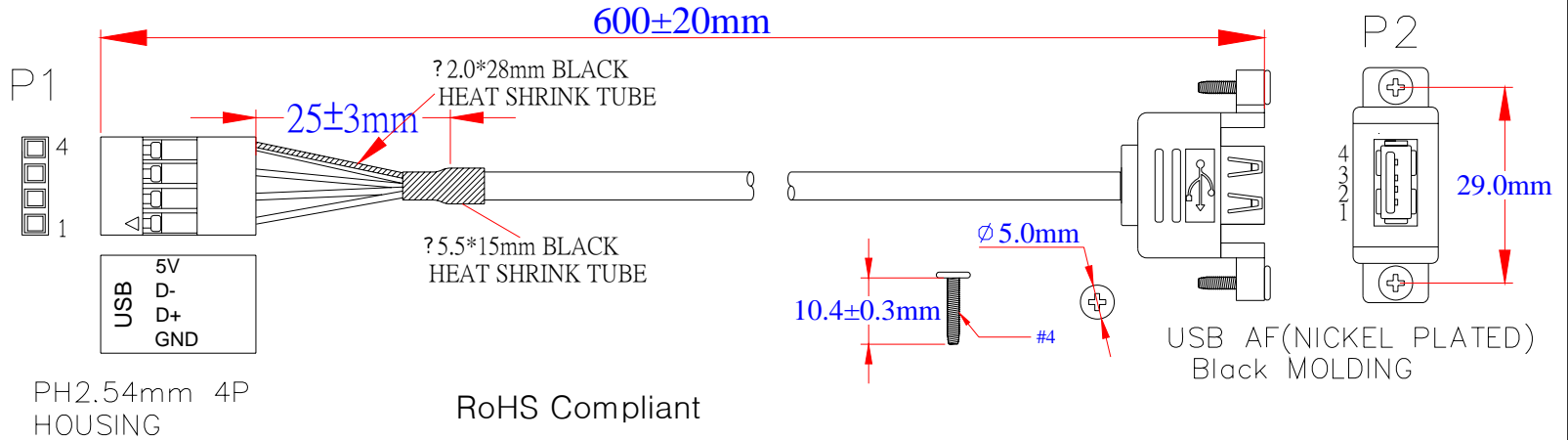


REVISIONS			
ZONE	REV.	DESCRIPTION	DATE
	V1.0	Primary Issue	2010/05/21
	V1.1	Change Transparent molding & Cable color to black Add two mounting screws	2010/07/01



- NOTE: 1. CABLE: UL2725,28#*1P+24#*2C+AL+B,OD=5.0mm,Black COLOR,PVC JACKET.(CCA BRAID)
 2. LENGTH: 600mm
 3. CONNECTOR:USB AF*1PCS(NICKEL PLATED,WHITE INSULATOR),PH2.54mm 1*4P HOUSING*1 HOUSING*1PCS(BLACK)
 4. MOLD:Black MOLDING
 5. CONTACTS:

P1	1	2	3	4
P2	1	2	3	4+64
	RD	WH	GN	BK+BN
		TP		

6. OPEN/SHPRT TEST: 100% TEST.
 INSULATION: 5M.

		UNIT: MM TOLERANCES:±0.2mm FRACTIONAL ± ANGULAR: MACH±1° BEND ± TWO PLACE DECIMAL ± THREE PLACE DECIMAL ±	DRAWN	NAME	DATE	Akasa (Asia) Corp	
		MATERIAL	CHECKED			AK-CBUB06-60BK	
		FINISH	ENG APPR.			SIZE DWG. NO.	
NEXT ASSY	USED ON		MFG APPR.			REV. B.	
APPLICATION		DD NOT SCALE DRAWING	Q.A.			SCALE:1:1	
			COMMENTS:			WEIGHT:	
						SHEET 1 OF 1	