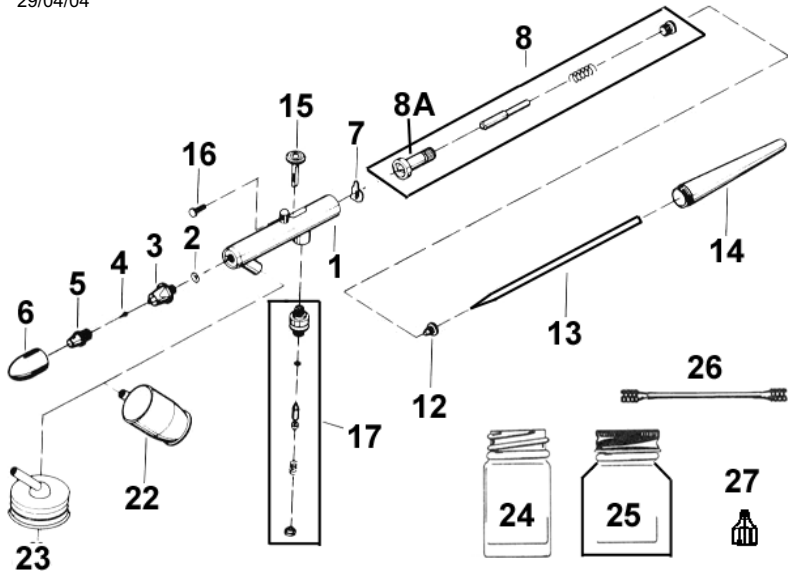


Issue: 1
 Date: 29/04/04



Item	Part No	Description	Item	Part No	Description
1	AB932/01	Frame	14	AB932/14	Tail cover
2	AB932/02	O-Ring	15	AB932/15	Trigger
3	AB932/03	Nozzle assembly	16	AB932/16	Micro adjust screw
4	AB932/04	Fluid tip	17	AB932/17	Valve assembly
5	AB932/05	Fixing nut	22	AB932/22	Paint cup
6	AB932/06	Fixing cap	23	AB932/23	Jar cover with nozzle
7	AB932/07	Spacer	24	AB930/16	Jar, 22cc
8	AB932/08	Spacer guide assembly	25	AB930/17	Jar with cover, 60cc
12	AB932/12	Needle fixing screw	26	AB930/19	Air hose, 5ft
13	AB932/13	Fluid needle	27	AB931/31	Air hose adaptor, 1/4" BSP

NOTE: It is our policy to continually improve products and as such we reserve the right to alter data, specifications and component parts without prior notice. **IMPORTANT:** No liability is accepted for incorrect use of this equipment. **WARRANTY:** Guarantee is 12 months from purchase date, proof of which will be required for any claim. **INFORMATION:** For a copy of our latest catalogue and promotions, call us on 01284 757525 and leave your full name and address including your postcode.

