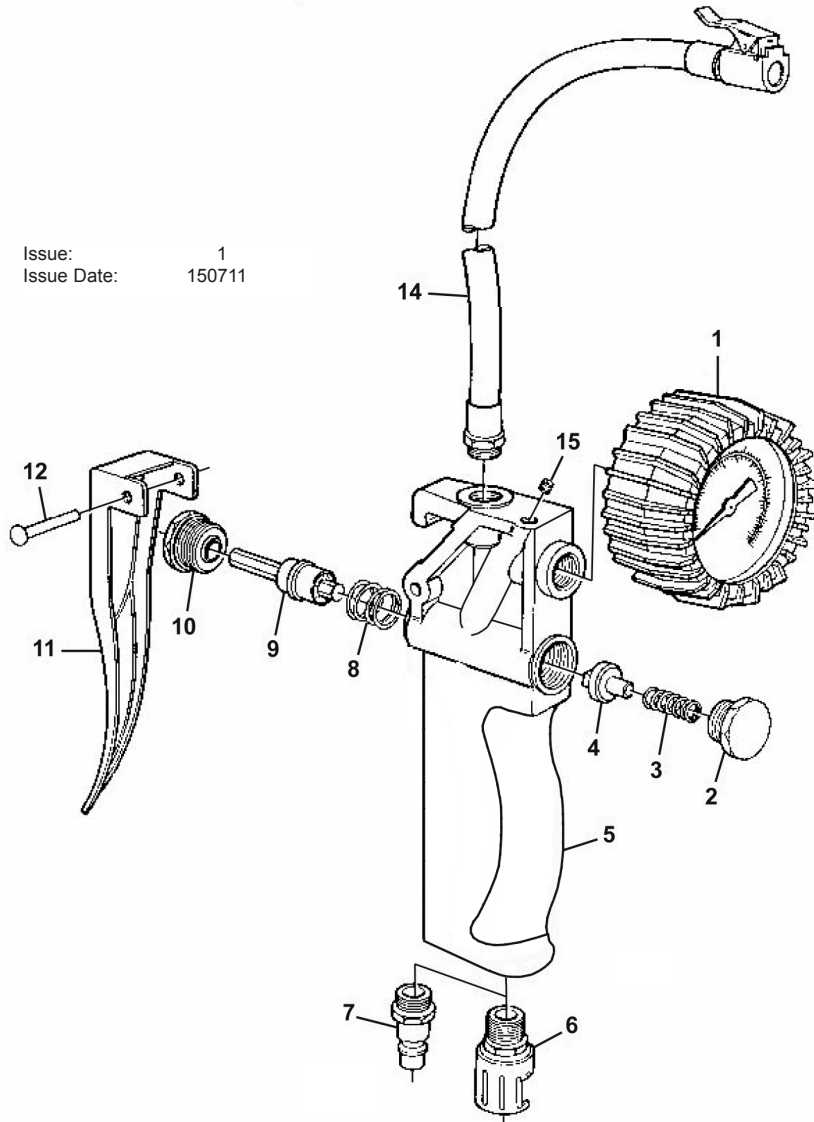


Issue: 1
 Issue Date: 150711



ITEM	PART NO	DESCRIPTION
1	SA930.01A	GAUGE D.63
--	SA930.01B	GAUGE D.80
2	SA930.02	SCREW CAP
3	SA930.03	SPRING
4	SA930.04	VALVE
5	SA930.V3-05	HANDLE
6	SA930.06	CONNECTION
7	SA930.07	INLET
8	SA930.08	TRIGGER SPRING
9	SA930.09	TRIGGER VALVE
10	SA930.10	TRIGGER CAP
11	SA930.11	TRIGGER
12	SA930.12	PIN
14	SA930.14	AIR HOSE (c/w CONNECTOR)
15	SA930.15	SCREW

NOTE: It is our policy to continually improve products and as such we reserve the right to alter data, specifications and component parts without prior notice.

IMPORTANT: No liability is accepted for incorrect use of product.

WARRANTY: Guarantee is 12 months from purchase date, proof of which will be required for any claim.

INFORMATION: For a copy of our latest catalogue and promotions call us on 01284 757525 and leave your full name and address, including postcode.