



INSTRUCTIONS FOR
PROFESSIONAL BANDSAW 10"
MODEL NO: **SM1304.V2**

Thank you for purchasing a Sealey product. Manufactured to a high standard, this product will, if used according to these instructions, and properly maintained, give you years of trouble free performance.

IMPORTANT: PLEASE READ THESE INSTRUCTIONS CAREFULLY. NOTE THE SAFE OPERATIONAL REQUIREMENTS, WARNINGS & CAUTIONS. USE THE PRODUCT CORRECTLY AND WITH CARE FOR THE PURPOSE FOR WHICH IT IS INTENDED. FAILURE TO DO SO MAY CAUSE DAMAGE AND/OR PERSONAL INJURY AND WILL INVALIDATE THE WARRANTY. KEEP THESE INSTRUCTIONS SAFE FOR FUTURE USE.



Refer to instructions



Wear eye protection



Wear protective gloves



Wear safety footwear



Wear protective clothing



Wear ear protection

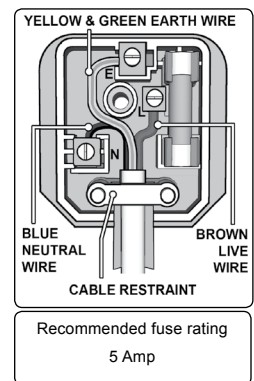


Wear a mask

1. SAFETY

1.1. Electrical Safety

- WARNING!** It is the user's responsibility to check the following:
 - Check all electrical equipment and appliances to ensure that they are safe before using. Inspect power supply leads, plugs and all electrical connections for wear and damage. Sealey recommend that an RCD (Residual Current Device) is used with all electrical products. You may obtain an RCD by contacting your local Sealey dealer. If used in the course of business duties, it must be maintained in a safe condition and routinely PAT (Portable Appliance Test) tested.
 - Electrical safety information, it is important that the following information is read and understood.
 - Ensure that the insulation on all cables and on the appliance is safe before connecting it to the power supply.
 - regularly inspect power supply cables and plugs for wear or damage and check all connections to ensure that they are secure.
 - Ensure that the voltage rating on the appliance suits the power supply to be used and that the plug is fitted with the correct fuse - see fuse rating in these instructions.
 - * **DO NOT** pull or carry the appliance by the power cable.
 - * **DO NOT** pull the plug from the socket by the cable.
 - * **DO NOT** use worn or damaged cables, plugs or connectors. Ensure that any faulty item is repaired or replaced immediately by a qualified electrician.
 - ✓ This product is fitted with a BS1363/A 13 Amp 3 pin plug.
 - If the cable or plug is damaged during use, switch the electricity supply and remove from use.
 - Ensure that repairs are carried out by a qualified electrician.
 - Replace a damaged plug with a BS1363/A 13 Amp 3 pin plug. If in doubt contact a qualified electrician.
 - a) Connect the GREEN/YELLOW earth wire to the earth terminal 'E'.
 - b) Connect the BROWN live wire to the live terminal 'L'.
 - c) Connect the BLUE neutral wire to the neutral terminal 'N'.
 - Ensure that the cable outer sheath extends inside the cable restraint and that the restraint is tight.
 - Sealey recommend that repairs are carried out by a qualified electrician.



1.2. General Safety

- WARNING!** Disconnect the saw from the mains power before changing saw blades and accessories, servicing or performing maintenance.
- ✓ Mount the saw to a secure surface such as a workbench.
- ✓ Keep area clean and tidy and free from unrelated materials and ensure there is adequate lighting.
- ✓ Maintain the saw in good condition (use authorised service agent only).
- ✓ Replace or repair damaged parts. Use recommended parts only. Unauthorised parts may be dangerous and will invalidate the warranty.
- ✓ Keep the machine clean and the blade sharp for best and safest performance. Check moving parts alignment regularly.
- ✓ Before each use check saw blade condition. If worn or damaged replace immediately.
- ✓ Place the blade guide to within 3mm of the material being cut.
- WARNING!** Keep all safety guards and holding screws in place, tight and in good working order. Check regularly for damaged parts. A guard or any other part that is damaged should be repaired or replaced before the saw is next used. The safety guard is a mandatory fitting.
- ✓ Remove adjusting keys and wrenches from the saw before turning it on.
- ✓ Wear approved safety eye protection, ear defenders, safety gloves and, if dust is generated, respiratory protection.
- ✓ Remove ill fitting clothing. Remove ties, watches, rings, and other loose jewellery, and contain long hair.
- ✓ Maintain correct balance and footing. Ensure the floor is not slippery and wear non-slip shoes.
- ✓ Keep children and unauthorised persons away from the working area.
- ✓ Secure unstable work piece with a clamp, vice or other adequate holding device.
- ✓ Avoid unintentional starting.
- ✓ Keep hands and fingers at a safe distance from the saw blade, especially at the end of a cut. Guide the work with a piece of wood or push rod rather than your fingers when cutting small pieces.
- ✓ Disconnect the saw from the power supply before removing wood chips or dust.
- ✓ Use a workpiece support when sawing material which extends beyond the saw table.
- * **DO NOT** operate the machine if damaged.

- ✗ **DO NOT** operate the machine if any parts are missing as this may cause failure and/or personal injury.
- ✗ **DO NOT** use saw blades which are damaged or deformed. Use only Sealey blades and spare parts. Non-standard blades can be dangerous.
- ✗ **DO NOT** get the saw wet or use in damp or wet locations or areas where there is condensation.
- ✗ **DO NOT** expose the saw housing to flame or high temperature.
- ✗ **DO NOT** allow untrained persons to operate the saw.
- ✗ **DO NOT** use saw where there are flammable liquids, solids or gases such as paint solvents and including waste wipers or cleaning rags etc
- ✗ **DO NOT** leave the saw operating unattended.
- ✗ **DO NOT** operate the saw if either of the blade covers is open or if the blade guard is not fitted.
- ✗ **DO NOT** operate the saw when you are tired or under the influence of alcohol, drugs or intoxicating medication.
- ✗ **DO NOT** use the saw for a task it is not designed to perform.
- ✓ When not in use switch off the saw and unplug from the mains power.

2. INTRODUCTION

Steel chassis with locking blade wheel covers. Smooth operation by bearing mounted blade wheels and belt drive induction motors. Micro switches prevent operation when either blade wheel cover is open. No-volt release switches prevent uncontrolled blade re-start after power interruption. Suitable for cutting wood and plastics. Fitted with tilting table for cutting compound mitres. Supplied with metal stand. Fully adjustable blade tracking and tensioning for precise cutting action. Features quick adjusting rip fence, mitre gauge, dust extraction port, blade wheel brushes and push sticks

3. SPECIFICATION

Model No.....	SM1304
Throat Depth.....	245mm
Maximum Cutting Height.....	100mm
Table Size.....	340x335mm
Table tilt.....	0-45°
Blade Length.....	1712mm
Blade Speed.....	400/730mtr/min
Motor Power.....	370W
Supply.....	230V
Dust Extraction Ø.....	40mm

- A Blade tension adjustment knob
- B Blade cover screw
- C Blade guard height adjuster
- D Blade guard
- E Fence
- F No Volt On/Off switch
- G Fence lock handle
- H Table side guide
- I Mitre guide
- J Saw Blade
- K Extraction outlet
- L Tracking adjustment knob
- M Worktable

4. ASSEMBLE

Unpack the product and check contents for damage. Should there be any damaged or missing parts contact your supplier immediately.

- 4.1. **Saw Assembly**
An assistant may be required to help.
- 4.1.1. To install the worktable:
SM1304: Carefully place worktable (fig.1.M) onto its supporting base, whilst sliding saw blade through the slot in the table. Fix to base with four bolts and washers supplied. Before finally tightening these, check that the table blade slot and sawblade are in line, set correctly and then tighten all bolts.
Using a square backed up to the saw blade, check that the worktable is square to the saw blade, if any adjustment is needed slacken the four bolts holding the supporting bracket to the main frame of the saw.
Set table to correct angle, tighten all fixings. Attach the table side guide (fig.1.H) to worktable using four bolts and washers.
- 4.1.2. Fit the fence (fig.1E) by sliding onto the worktable from either the front or the back as required. Push down handle (fig.1G) to lock when fence is in required position.
- 4.1.3. Important! The saw must be placed on a firm, stable work surface capable of supporting the saw and any workpiece.
Using four pre-drilled holes in base, fix to the work surface with appropriate fixings.
- ✗ **DO NOT** attempt to use the saw if it is not on a stable surface as it may topple over during use and cause damage and/or personal injury.
- 4.1.4. Connect extraction port (Ø60mm) (fig.2a k) to dust extractor system (if available).

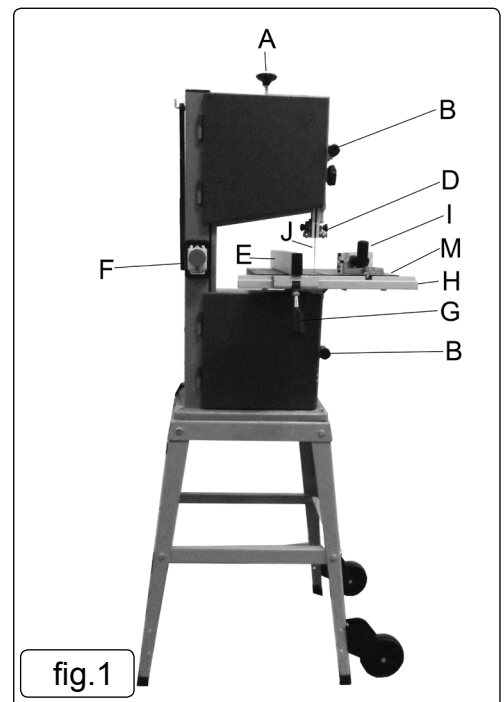


fig.1

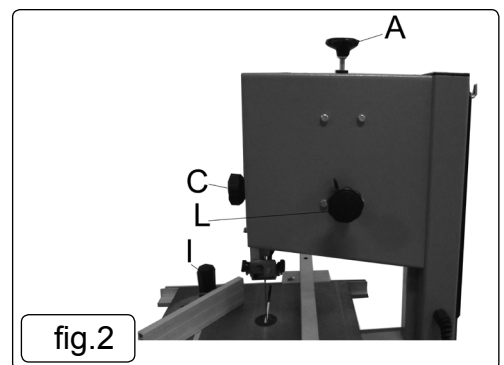


fig.2

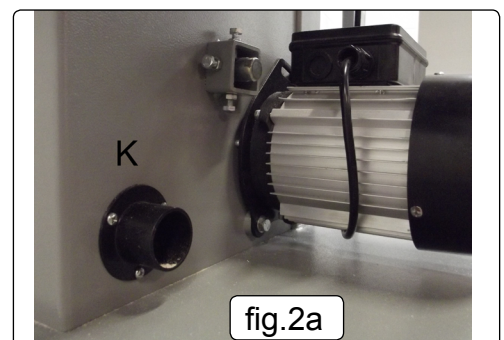
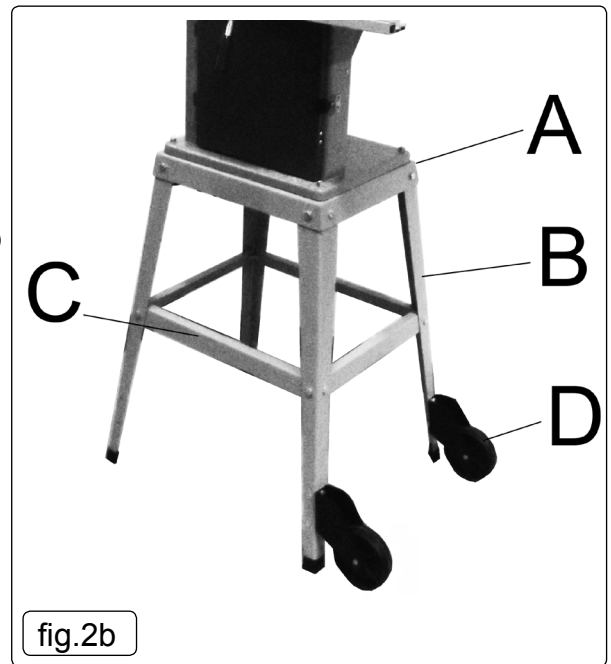


fig.2a

- 4.2. **Stand Assembly fig.2b**
- 4.2.1. Place angle frame (A) top down on floor, attach four legs legs (B) using the eight bolts supplied.
- 4.2.2. Bolt leg cross members (C) as shown in fig2b.
- 4.2.3. Push on rubber feet onto bottom of legs, turn stand up correct way.
- 4.2.4. Bolt on wheels as shown.
- 4.2.5. Ensure all bolts are done up tight.
- 4.2.6. Lift saw on to frame (beware of weight, second person may be required) Bolt base of saw to frame using four bolts supplied.



5. ADJUSTMENTS

- ❑ **WARNING!** Ensure that the bandsaw is disconnected from the power supply before attempting any adjustments.
- 5.1. **Changing the blade**
- 5.1.1. Turn the blade cover screws counter clockwise (fig.1B) to open the upper and lower blade covers.
- 5.1.2. Turn blade tension adjustment knob anticlockwise (fig.1A) to slacken the blade.
- 5.1.3. Remove the blade retaining bracket by undoing the two bolts and removing it. Carefully remove the blade.
- 5.1.4. Install the new blade. Be sure the teeth are pointing downwards and outwards. Refit the retaining bracket.
- 5.1.5. Adjust new blade to the correct tension (see 5.2.) and check, and adjust if necessary, tracking (see 5.3.) and blade guide adjustment (see 5.5. & 5.6.).
- 5.1.6. Close both blade covers and screw in bolts.
- 5.2. **Adjusting blade tension.**
- 5.2.1. Open the blade covers and check to ensure that blade is centred on both wheel rims (if not, see section 5.3).
- 5.2.2. Turn the blade tension knob (fig.1A) to adjust the blade tension - clockwise to tighten, anticlockwise to slacken. Correct tension is reached when the blade gives slightly to firm finger pressure at mid-span. Do not over-tighten.
- 5.2.3. Close both blade covers and lock with blade cover locks.
- 5.3. **Adjusting blade tracking**
- 5.3.1. Open blade covers and carefully rotate the upper blade wheel (fig.3) clockwise by hand, to determine whether blade is tracking correctly - blade should be on the centre of each wheel rim.
- 5.3.2. If adjustment is needed, turn the tracking knob (fig.2.L) whilst continuing to turn the upper blade wheel. Note the effect on the tracking and continue to turn tracking knob until tracking is correct.
- 5.3.3. Close both blade covers and lock with blade cover locks.
- 5.4. **Upper blade guide position**
- 5.4.1. The upper blade guide should always be adjusted to about 3mm above the workpiece. To adjust: turn the adjustment knob (fig.3.C) to lower guide to required position.
- 5.5. **Upper blade guide bearing adjustment**
- 5.5.1. The upper blade side guides prevent excessive sideways movements of the saw blade. They should be adjusted so that they are just clear of the saw blade. Adjust the guides (figs.4 & 5A) on both sides. Turn the top wheel twice to check correct alignment and that are correctly positioned, then tighten the locking nuts to secure. Re-check guides for correct positioning.
- 5.5.2. The upper blade guide rear bearing prevents the saw blade from being pushed backwards when cutting. It should be adjusted so that it is just clear of the blade (0.75mm). Loosen knob (figs.4 & 5.C) and move the bearing (figs.4D) inwards so that it touches the blade, then adjust it out slightly to just clear of the saw blade. Tighten knob to secure. Re-check for correct positioning.
- 5.5.3. Knob (fig.4 & 5B) is for adjustment / leveling of bearing housings and can be moved backwards and forwards in conjunction with bearing (fig4.D).
- 5.6. **Lower blade guide bearing adjustment**
- 5.6.1. The three lower guides / bearings should be adjusted using the same procedure as for the upper guides / bearings (5.5). All three guides are more conveniently reached by removing the work table. The two side guides are held in place by allen bolts, the rear guide is also held in place by an allen bolt.
- Notes:
- a) Always check and adjust both upper and lower guides at the same time.
 - b) Carry out these checks/adjustments every time the blade is changed.
 - c) The blade will be damaged if the teeth contact the guides/guide bearings.
- 5.7. **Mitre gauge**
- 5.7.1. The mitre gauge, fits in the slot at the front of the work table, it is adjustable through 45° in either direction. Loosen the central locking knob, adjust and then tighten locking knob.

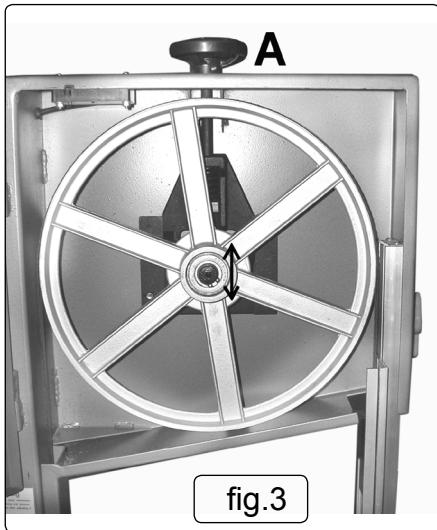


fig.3

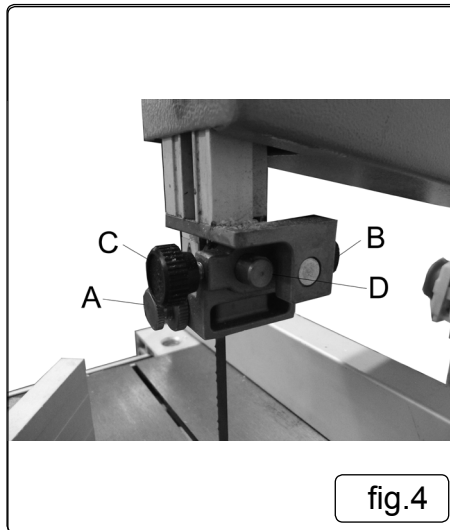


fig.4

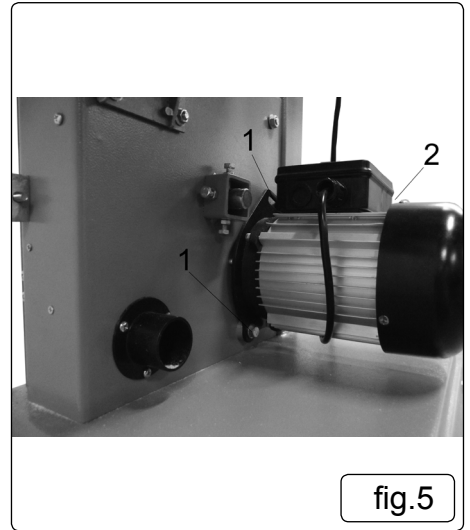


fig.5

5.8. Table Angle

5.8.1. Loosen the knob(s) underneath table and adjust table to required angle using the scale as a guide. Tighten knob(s) when in required position.

5.9. Fence

5.9.1. The fence (fig.1.E) is mounted on the table side guide (fig.1.H).

5.9.2. To reposition or remove the fence, push up locking handle (fig.1.G). To refit the fence, slide onto work table from the front or back as required. Push down handle (fig.1.G) to lock when fence is in required position.

5.10. Change of Blade Speed

5.10.1. Open the lower door.

5.10.2. Loosen, but do not remove, the two bolts (fig.5.1) that hold the motor assembly to the housing.

5.10.3. Move the motor assembly counter clockwise to reduce the tension in the belt (3).

5.10.4. Move the belt to the adjacent pulleys. Make sure the belt is positioned properly on the pulleys.

5.10.5. Move the motor clockwise to increase the tension on the belt.

5.10.6. Tighten the two bolts that hold the motor in place.

5.11. Wheel Brush Adjustment

The Wheel brush is located against the lower blade wheel and helps to keep the wheel clean of sawdust and wood chips

5.11.1. Loosen the nut that secures the wheel brush.

5.11.2. Position the wheel brush against the wheel.

5.11.3. Tighten the nut.

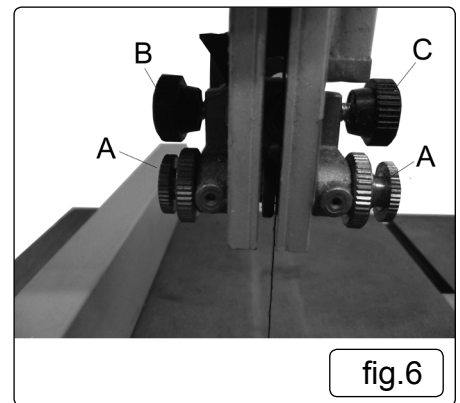


fig.6

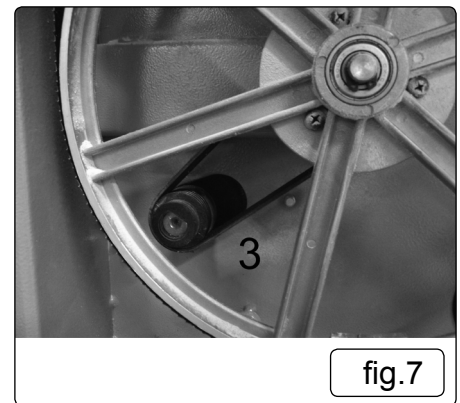


fig.7

6. OPERATION

6.1. To switch saw on

Press the green (I) 'On' button. Press the red (O) 'Off' button to turn saw off.

Adjust blade guide (fig.1C) to just above the workpiece (3mm). Use both hands to feed workpiece to the blade. Use a steady even pressure sufficient to keep blade cutting but no more. If needed, stop the saw and wait for blade to completely stop before backing blade out of a cut.

6.2. Rip sawing

Cutting wood with the grain. For best results use rip fence on left side of saw to guide workpiece. The table side guide scale shows the distance between the blade and the left-hand edge of the workpiece.

6.3. Cross cutting

To cut wood at right angles to the grain. This type of cut can be made freehand but using the mitre guide ensures accurate results. The guide can also be adjusted up to a 45° angle to produce mitre cuts or compound cuts with the table tilted. Ensure the work is

held firmly against the table and against the face of the mitre guide.

- ❑ **WARNING!** Keep your fingers away from the blade, use the pushstick to push the last piece of work through.

6.4. **Freehand**

When freehand cutting, always feed the work slowly to follow your saw line. Ensure you do not drag the work off-line forcing the blade sideways or twisting it. It may be helpful to make an initial rough cut about 5mm away from the line. For difficult curves which may be too tight for the blade, make relief cuts on the face of the curve so that the waste wood will fall away as the final radius is cut.

6.5. **Blade selection**

- 6.6. There should be at least three saw teeth in contact with the workpiece at any one time during cutting. Therefore the thinner the workpiece the higher the blade tpi required.

6.7. **Bevel cutting**

When bevel cutting with the table tilted always have the workpiece guide (fence or mitre) on the lower part of the table.

6.8. **Workpiece stability**

Any workpiece which does not have a flat surface which will ensure stability on the saw table must be held in a suitable device which will prevent rotation.

7. MAINTENANCE

- ❑ **Warning!** ensure the machine is disconnected from the mains power supply before carrying out any maintenance.

7.1. **Changing tyres**

Eventually the tyres on the bandsaw wheels will wear due to the constant contact with the blade teeth.

Remove blade (see 5.1), lift the edge of the tyre with a small screwdriver and the tyre can be worked off the wheel easily. It is recommended that both tyres be changed at the same time.

7.2. **Blades**

If blade breaks, check for correct tension after fitting new blade. Also avoid over-working blade by keeping to a constant feed rate and avoiding any side pressure.

7.3. **Blade guides**

Blade guides should be inspected regularly for wear or chipping. When replacing guides, replace all guides at the same time, both upper and lower.

7.4. **Table insert**

The insert should be inspected regularly and replaced if wear or damage is found.

7.5. **Bearings**

All bearings used in the construction of the bandsaw and motor are sealed and lubricated for life.

6.6. **Cleaning**

Remove dust and chips from the inside of the bandsaw frequently. Open the wheel covers and use a brush or vacuum cleaner. At the end of every work session, clean sawdust away from the motor vents.

Parts support is available for this product. To obtain a parts listing and/or diagram, please log on to www.sealey.co.uk, email sales@sealey.co.uk or telephone 01284 757500.



Environmental Protection

Recycle unwanted materials instead of disposing of them as waste. All tools, accessories and packaging should be sorted, taken to a recycling centre and disposed of in a manner which is compatible with the environment.

When the product becomes completely unserviceable and requires disposal, drain off any fluids (if applicable) into approved containers and dispose of the product and the fluids according to local regulations.



WEEE Regulations

Dispose of this product at the end of its working life in compliance with the EU Directive on Waste Electrical and Electronic Equipment (WEEE). When the product is no longer required, it must be disposed of in an environmentally protective way. Contact your local solid waste authority for recycling information.

NOTE: It is our policy to continually improve products and as such we reserve the right to alter data, specifications and component parts without prior notice.

IMPORTANT: No liability is accepted for incorrect use of this product.

WARRANTY: Guarantee is 12 months from purchase date, proof of which will be required for any claim.



Sole UK Distributor, Sealey Group.
Kempson Way, Suffolk Business Park,
Bury St. Edmunds, Suffolk.
IP32 7AR



01284 757500



01284 703534



www.sealey.co.uk



sales@sealey.co.uk