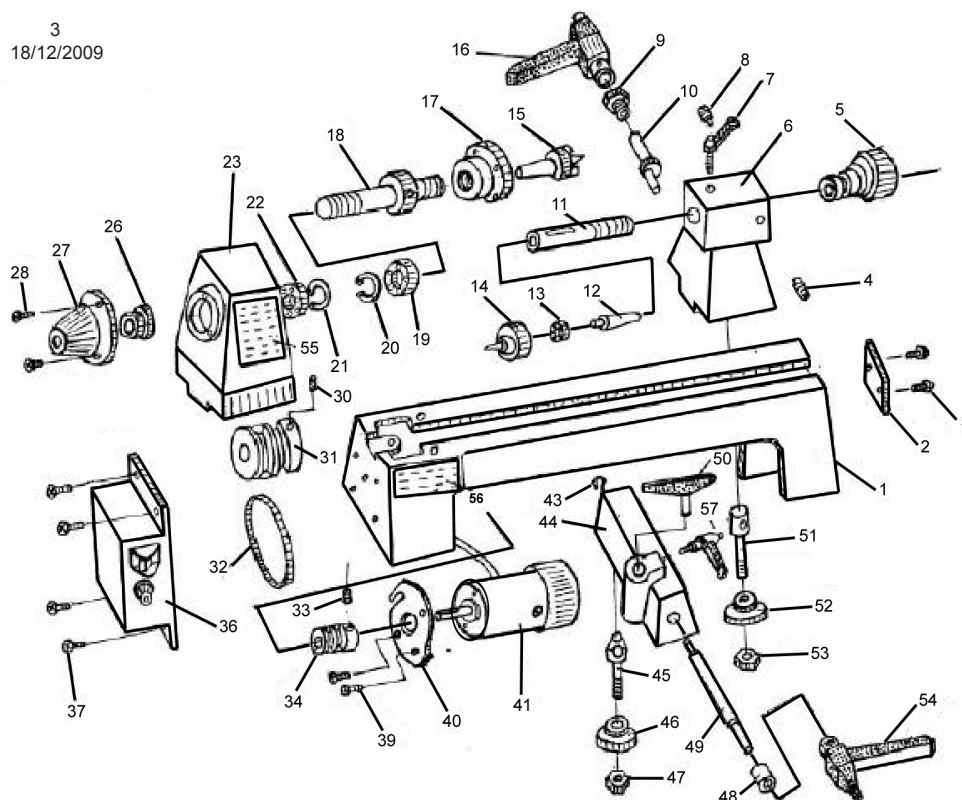


Issue: 3  
 Date Issued: 18/12/2009



NOTE: N/S = Not Shown On Diagram

Item	Part No	Description	Item	Part No	Description
1	SM1307.01	BED	32	SM1307.32	BELT
2	SM1307.02	RETAINING RING	33	SM1307.33	BOLT
3	SM1307.03	BOLT	34	SM1307.34	MOTOR PULLEY
4	SM1307.04	BOLT	36	SM1307.36	VARIABLE SPEED BOX
5	SM1307.05	HANDWHEEL	37	SM1307.37	BOLT
6	SM1307.06	TAILSTOCK	39	SM1307.39	BOLT
7	SM1307.07	LOCK LEVER	40	SM1307.40	MOTOR PLATE
8	SM1307.08	BOLT	41	SM1307.41	MOTOR
9	SM1307.09	SLEEVE	--	SM1307.41.01	CARBON BRUSH (N/S)
10	SM1307.10	ECCENTRIC AXIS	43	SM1307.43	RETAINING RING
11	SM1307.11	TAILSTOCK	44	SM1307.44	TOOL REST BASE
12	SM1307.12	TAPER ROD	45	SM1307.45	BOLT
13	SM1307.13	BEARING (6900ZZ)	46	SM1307.46	PLATE
14	SM1307.14	CENTRE CUP	47	SM1307.47	HEX NUT
15	SM1307.15	HEADSTOCK SPUR CENTRE	48	SM1307.48	SLEEVE
16	SM1307.16	TAILSTOCK LOCK LEVER	49	SM1307.49	ECCENTRIC ROD
17	SM1307.17	FACEPLATE	50	SM1307.50	TOOL REST
18	SM1307.18	HEADSTOCK SPINDLE	51	SM1307.51	BOLT
19	SM1307.19	BEARING	52	SM1307.52	PLATE
20	SM1307.20	RETAINING RING	53	SM1307.53	HEX NUT
21	SM1307.21	RETAINING RING	54	SM1307.54	TAILSTOCK LOCK LEVER
22	SM1307.22	BEARING	55	SM1307.65	LABEL
23	SM1307.23	HEADSTOCK	56	SM1307.66	LABEL
26	SM1307.26	HEADSTOCK SPINDLE NUT	57	SM1307.67	LOCK LEVER
27	SM1307.27	PLATE COVER	--	SM1307.68	SPANNER (N/S)
28	SM1307.28	BOLT	--	SM1307.69	PIN HEX WRENCH 3mm (N/S)
30	SM1307.30	BOLT	--	SM1307.70	PIN HEX WRENCH 5mm (N/S)
31	SM1307.31	DRIVE PULLEY			

NOTE: It is our policy to continually improve products and as such we reserve the right to alter data, specifications and component parts without prior notice.

IMPORTANT: No liability is accepted for incorrect use of product.

WARRANTY: Guarantee is 12 months from purchase date, proof of which will be required for any claim.

INFORMATION: For a copy of our latest catalogue and promotions call us on 01284 757525 and leave your full name and address, including postcode.