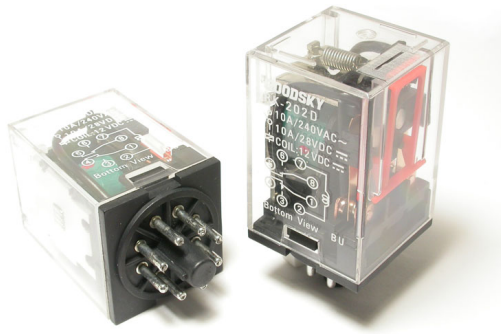


<b>Order code</b>	<b>Manufacturer code</b>	<b>Description</b>
60-1676	n/a	DPDT 10A POWER RELAY 230V AC (RC)

	Page 1 of 3
The enclosed information is believed to be correct, Information may change without notice due to product improvement. Users should ensure that the product is suitable for their use. E. & O. E.	Revision A 20/02/2007



## Main Feature

1. 2-Pole and 3-Pole version are available with switching current at 5 Amps (2 Poles) & 3Amps (3 Poles).
2. Socket type. Easy to use.
3. Low coil power consumption with high response time.
4. High reliability and long life with better vibration and shock resistance.

## Application :

Vending Machine, Cooking Appliances, Office Machine, Domestic Appliances, Control Equipment, etc.

## Contact Rating :

- Nominal Load (Resistive Load  $\cos \varphi = 1$ )
  - Contact Capacity ..... 2 P: 10A at 220VAC.  
10A at 24VDC.
  - 3 P: 10A at 220VAC  
10A at 24VDC.
- Rated Carrying Current ..... 2P: 10 Amps.  
3P: 10 Amps
- Max. Allowable Current ..... 2p: 10 Amps.  
3p: 10 Amps.
- Max. Allowable Voltage ..... AC 220V, DC 110V.
- Max. Allowable Power Force. 2P: 2400VA, 280W.  
3P: 2400VA, 280W.
- Min. Switching Load ..... DC 1V, 10mA.
- Contact Material ..... Ag.
- Contact Form ..... DPDT & 3PDT.

## Performance (at Initial Value)

- Contact Resistance ..... 100 mΩ Max. @ 1A, 6VDC
- Operate Time ..... 25 mSec. Max.
- Release Time ..... 25 mSec. Max.
- Dielectric Strength :
  - Between Coil & Contact ..... 1,000VAC at 50/60 Hz  
for one minute.
  - Between Contacts ..... 1,000VAC at 50/60 Hz  
for one minute.
- Surge Resistance ..... 3,000V (between Coil  
& Contact 1.2x50μSec.)
- Insulation Resistance ..... 100 MegaΩ Min. at  
500VDC.

- Max. On/Off Switching :
  - Electrical ..... 30 Ops per Minute.
  - Mechanical ..... 240 Ops per Minute.
- Temperature Range ..... -10~40°C
- Humidity Range ..... 35~85% RH.
- Vibration :
  - Endurance ..... 10 to 55 Hz dual  
amplitude width 1.5mm.
  - Error Operation ..... 10 to 55 Hz dual  
amplitude width 1.5mm.
- Shock :
  - Endurance ..... 1,000 m/S<sup>2</sup> Min.
  - Error Operation ..... 100 m/S<sup>2</sup> Min.
- Life Expectancy :
  - Mechanical ..... 10<sup>7</sup> Operations at No  
Load condition.
  - Electrical ..... 10<sup>5</sup> Operations at Rated  
Resistive Load.
- Weight ..... About 85 g.

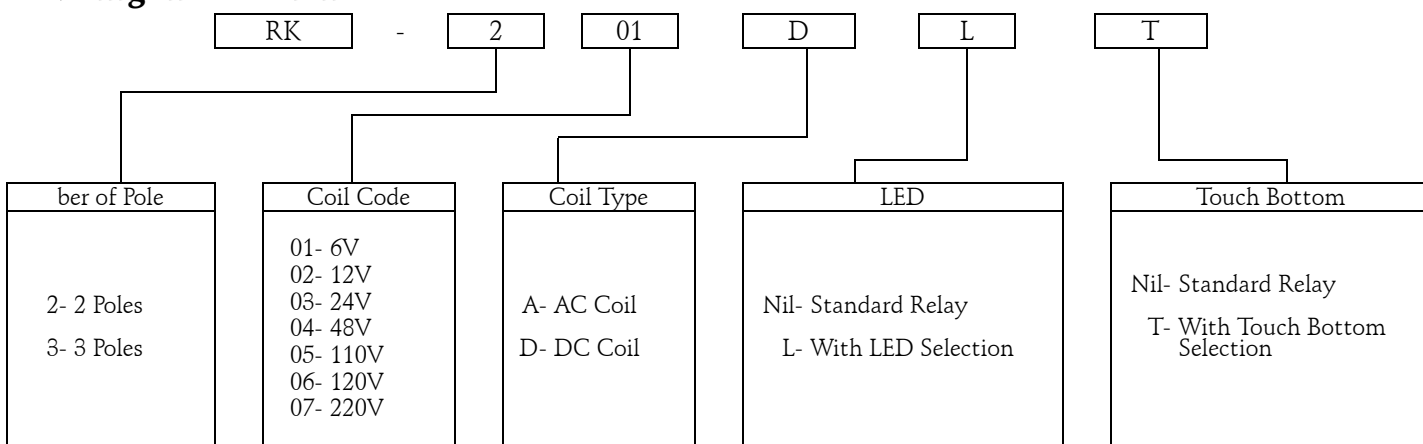
## Safety Standard & Its File Number :

- C-UL ..... E175730

## Coil Specification (at 20°C)

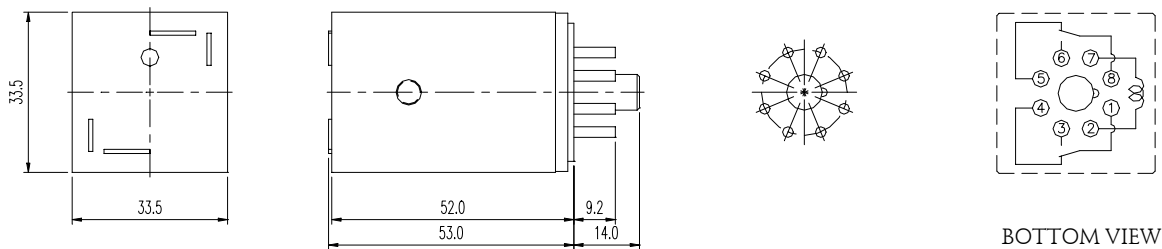
Coil Sensitivity	Coil Voltage Code	Nominal Voltage (VDC)	Nominal Current (mA)		Coil Resistance ( $\Omega \pm 10\%$ )	Power Consumption		Pull-In Voltage (VDC)	Drop-Out Voltage (VDC)	Max. Allowable Voltage (VDC)
			50 Hz	60 Hz		50HZ	60HZ			
RK 2-P & 3-P  AC Coil	01	6	404.00	360.00	5.3	2.40VA	2.16VA	80% Maximum	30% Minimum	110%
	02	12	169.63	139.53	21.5	2.04VA	1.67VA			
	03	24	69.74	59.84	91	1.67VA	1.44VA			
	04	48	24.50	20.70	420	1.18VA	0.99VA			
	05	110	15.90	13.20	1620	1.75VA	1.45VA			
	06	120	20.10	16.40	-	2.41VA	1.97VA			
	07	220	7.55	6.42	7100	1.66VA	1.41VA			
RK 2-P & 3-P  DC Coil	01	6	255		23.5	Abt. 1.5W		80% Maximum	10% Minimum	110%
	02	12	126		95					
	03	24	56		430					
	04	48	29.5		1,630					
	05	110	16.2		6,800					
	06	120	-		-					

## Ordering Information:



## Dimension:

RK-2C



RK-3C

