

Potentiometers

Order code	Manufacturer code	Description
65-1414	ECO470KLIN	470K LINEAR SGL 16MM CONTROL (RC)
65-1414	ECO470KLIN	470K LINEAR SGL 16MM CONTROL (RC)
65-1416	ECO1MLIN	1M LINEAR SINGLE 16MM CONTROL (RC)
65-1416	ECO1MLIN	1M LINEAR SINGLE 16MM CONTROL (RC)
65-1420	ECO1KLOG	1K LOG SINGLE 16MM CONTROL (RC)
65-1420	ECO1KLOG	1K LOG SINGLE 16MM CONTROL (RC)
65-1404	ECO10KLIN	10K LINEAR SINGLE 16MM CONTROL (RC)
65-1404	ECO10KLIN	10K LINEAR SINGLE 16MM CONTROL (RC)
65-1408	ECO47KLIN	47K LINEAR SINGLE 16MM CONTROL (RC)
65-1408	ECO47KLIN	47K LINEAR SINGLE 16MM CONTROL (RC)
65-1410	ECO100KLIN	100K LINEAR SGL 16MM CONTROL (RC)
65-1410	ECO100KLIN	100K LINEAR SGL 16MM CONTROL (RC)
65-1430	ECO100KLOG	100K LOG SINGLE 16MM CONTROL (RC)
65-1430	ECO100KLOG	100K LOG SINGLE 16MM CONTROL (RC)
65-1400	ECO1KLIN	1K LINEAR SINGLE 16MM CONTROL (RC)
65-1400	ECO1KLIN	1K LINEAR SINGLE 16MM CONTROL (RC)
65-1402	ECO4K7LIN	4K7 LINEAR SINGLE 16MM CONTROL (RC)
65-1402	ECO4K7LIN	4K7 LINEAR SINGLE 16MM CONTROL (RC)
65-1422	ECO4K7LOG	4K7 LOG SINGLE 16MM CONTROL (RC)
65-1422	ECO4K7LOG	4K7 LOG SINGLE 16MM CONTROL (RC)
65-1424	ECO10KLOG	10K LOG SINGLE 16MM CONTROL (RC)
65-1424	ECO10KLOG	10K LOG SINGLE 16MM CONTROL (RC)
65-1428	ECO47KLOG	47K LOG SINGLE 16MM CONTROL (RC)
65-1428	ECO47KLOG	47K LOG SINGLE 16MM CONTROL (RC)

Potentiometers	Page 1 of 3
The enclosed information is believed to be correct, Information may change without notice due to product improvement. Users should ensure that the product is suitable for their use. E. & O. E.	Revision A 20/02/2007

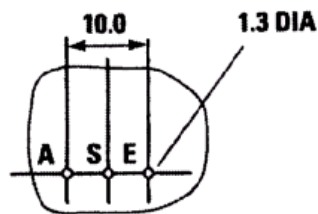
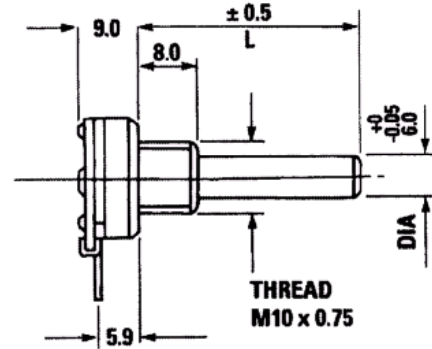
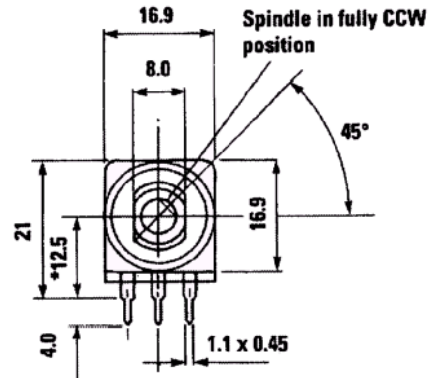
Miniature 16mm potentiometers – PC16ECO series

Mechanical specification

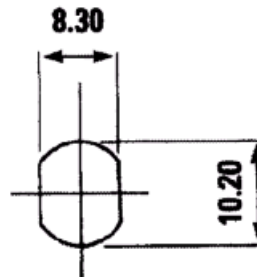
Rotation angle ϕ N		$275^\circ \pm 5^\circ$
Operation torque		0.4 – 1.5 Ncm
Permissible torque at end stop		35 Ncm max.
Permissible axial spindal load		50 Ncm (5sec. Max.)
Mounting bush:-	Thread	$\varnothing 10 \times 0.75$ mm pitch
Spindal:-	Diameter \varnothing	$6.0^{+0}_{-0.05}$ mm
	Length L	40 mm

Electrical specification

Rated dissipation @ 40°C		0.25W linear law 0.12W non linear law
Limiting element voltage		350VDC
Insulating resistance		$\geq 4G\Omega$
Insulating voltage		500VAC
Rated resistance		E3 series
	• Linear law	1K to 1M
	• Non-linear law	4K7 – 470K
Tolerance on rated resistance		$\pm 20\%$
	• Optional 1K to 1MEG	$\pm 10\%$
Resistance law		A
	• Linear	B
	• Non-linear	
Noise (ENR)		2% max. (linear) 3% max. (non-linear)



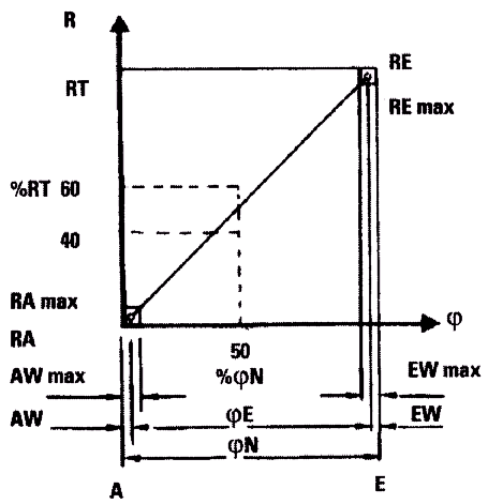
Viewed on component side



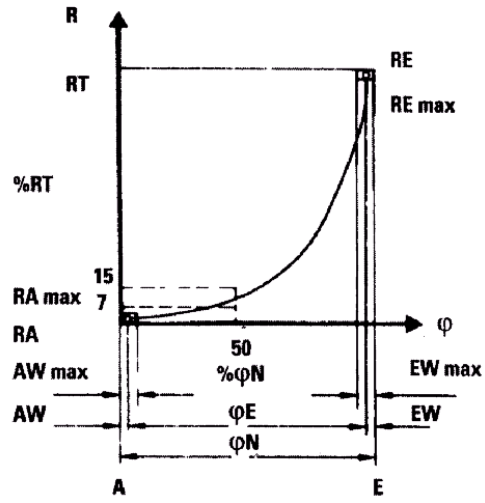
**Bush Mounting
Panel cut-out**

Resistance Laws

Law A



Law B



A Initial terminal
 AW Initial path
 E End terminal
 EW Final path
 Ra Initial stop value
 RA Hop-on resistance

Re End stop value
 RE Hop-off resistance
 RN Rated resistance
 RT Effective resistance
 ϕ Rotation angle of rotary potentiometers

Climatic category (IEC 68) : 10/070/21 rated temperature range -10°C to $+70^{\circ}\text{C}$ Life $\geq 10,000$ cycles