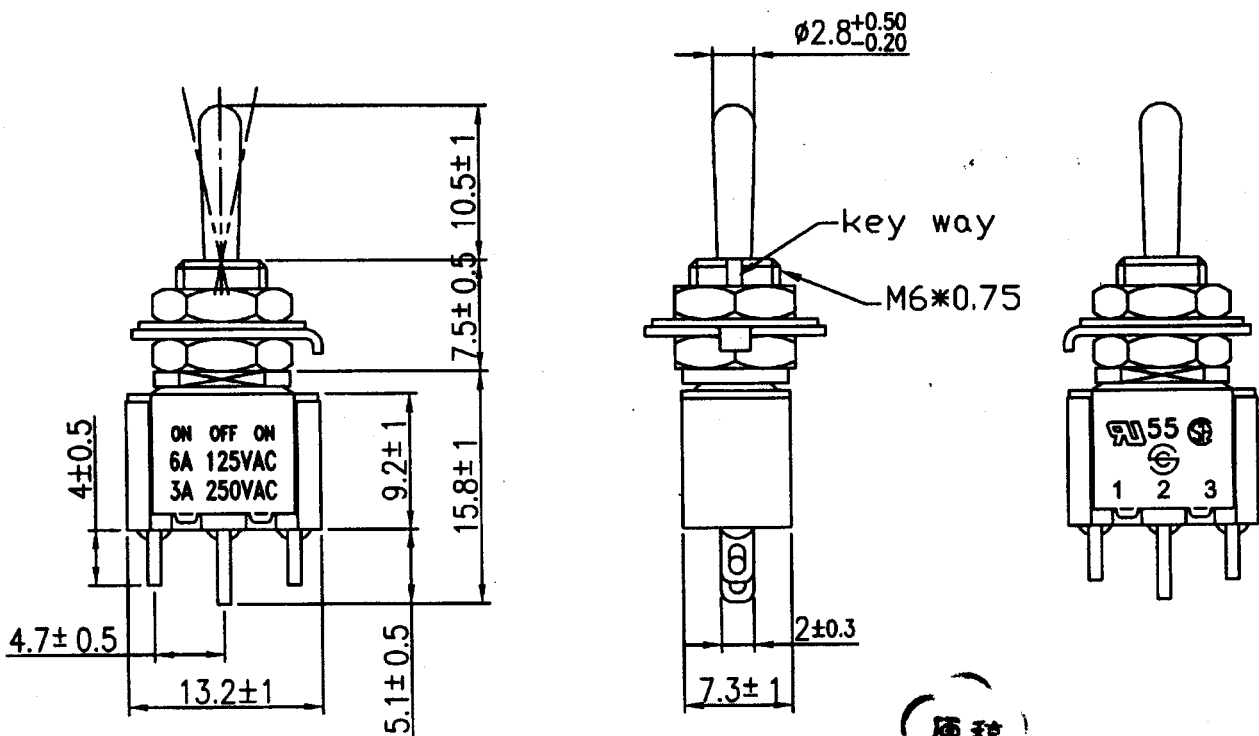
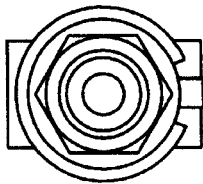


Toggle switches

Order code	Manufacturer code	Description
75-0135	n/a	SPDT C/O MIN TOGGLE SWITCH (RC)

Toggle switches	Page 1 of 2
The enclosed information is believed to be correct, Information may change without notice due to product improvement. Users should ensure that the product is suitable for their use. E. & O. E.	Revision A 20/02/2007

Rating	6A 125V AC, 3A 250V AC	Mounting Hole	Circuit Diagram
Contact R	50m ohm Max.		
Insulation R	DC 500V 100M ohm Min.		
Dielectric Strength	AC 1000V 1 minute		
Circuit	3P SPDT ON-OFF-ON		



原稿

D:\Projects\零件\TA103A1

						△	
						△	
Date	Name	Descriptions				NO	
Drawing	Check	Approval	SCI No.	1860051	Model Name	MINI SWITCH	
曹盈芳	<i>A 714</i>	<i>DD</i>	Customer No.		Model No.	TA103A1	
09/27/06	11/30/06	12/4/06	Unit	mm	SHIN CHIN INDUSTRIAL CO., LTD.		