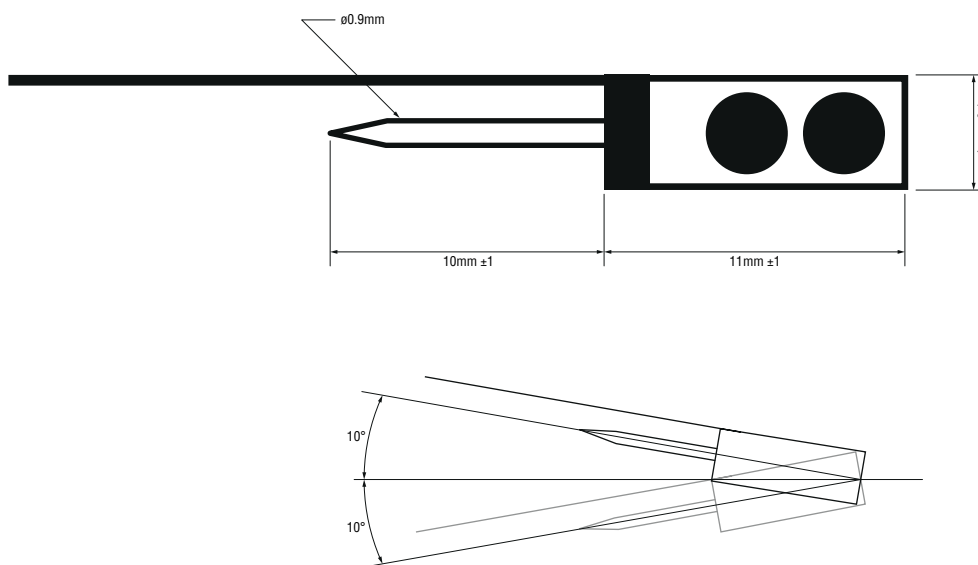


Features:

- Long life
- Economical
- Non-Mercury

Applications

- Industrial control equipment
- Household goods
- Home security



Technical Specifications:

- Maximum switch rating: 24VDC, 6mA
- Electrical life: 100,000 cycles min.
- Contact resistance: 0.5Ω max. (measured at 45° tilt)
- Differential angle: 10° max.
- Solder temperature: manual soldering 350°C , 3-5 seconds
- Operating temperature: -25°C to 85°C
- Soldering process: recommended for manual soldering, not for wave soldering